



THE NEW SPARTHHERM 800

USA / CANADA EDITION

The fire of your life.



SPARTHerm 800 INSERT

PRE-SET COMBUSTION AIR SETTING

- separate combustion air inlet \varnothing 125 mm - 5"; orientation backward
- chimney connection 6"; orientation backward or upward
- adjustable leveling feet 10 - 20 mm
- swing door - hinged door
- fireplace lining: fireclay and vermiculite

CHOOSE THE INSTALLATION OPTION THAT SUITS YOUR NEEDS!

- MASONRY INSERTS



- ZERO CLEARANCE FIREPLACES



- MODULAR FREESTANDING STOVES



SPECIFICATIONS 800: INSERT / ZERO CLEARANCE / MODULE

Tested EPA emission particular rate (2020)	1.30 g/hr
Air control options	Single setting burn rate / pre-set
Min/Max output BTU	19,600-52,000 BTU
Chimney connection size	6"
Log size	21"
Chimney size	6"

Chimney type 6" by the standard: UL 103-HT or ULC S-629.
Complete range can be connected to outside combustion air- 5" connection.

CHOOSE YOUR FRAME TO FINISH THE INSTALLATION

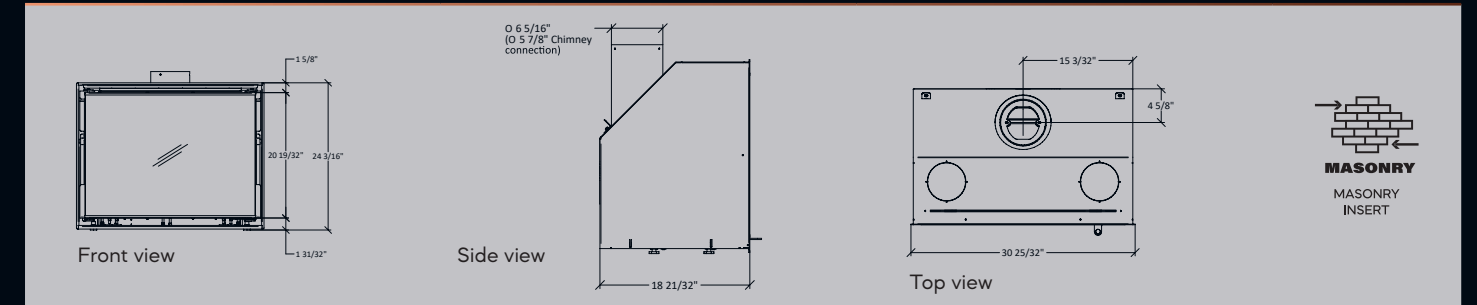
Available frame finishes	60 mm 2 3/8"
	80 mm 3 1/8"
	100 mm 3 15/16"

FIREPLACE INSERT

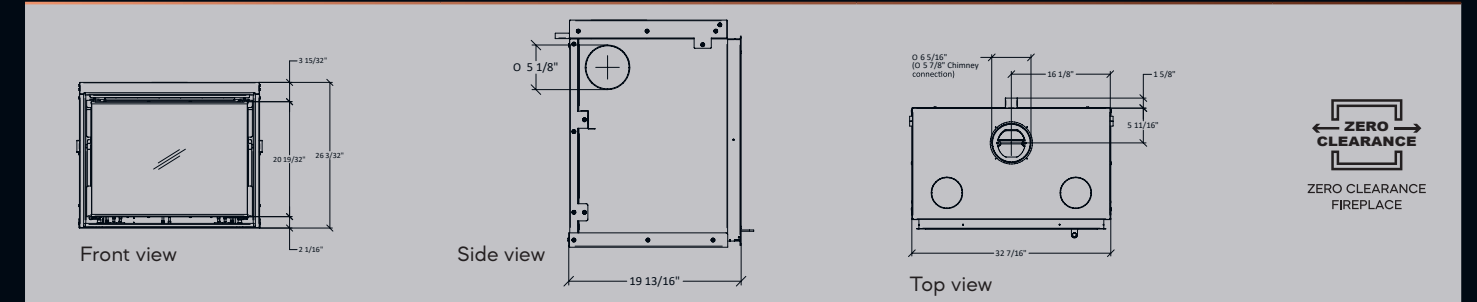
Standard



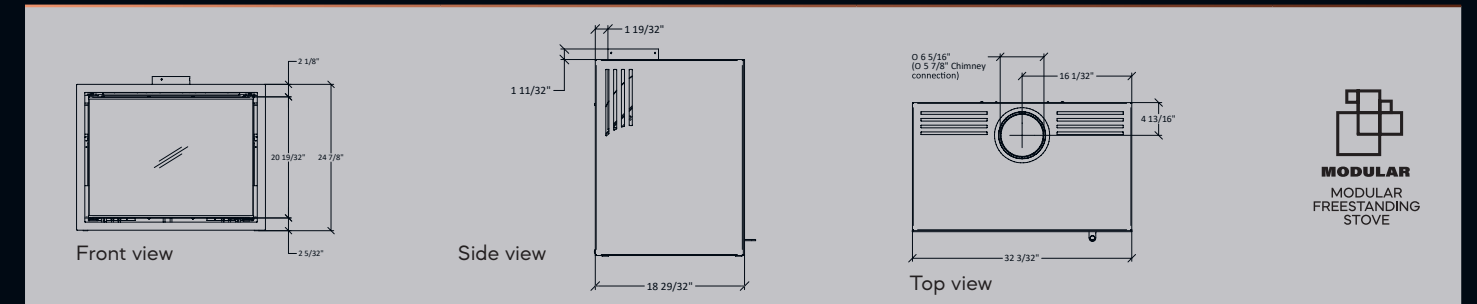
SPARTHerm-800-IN



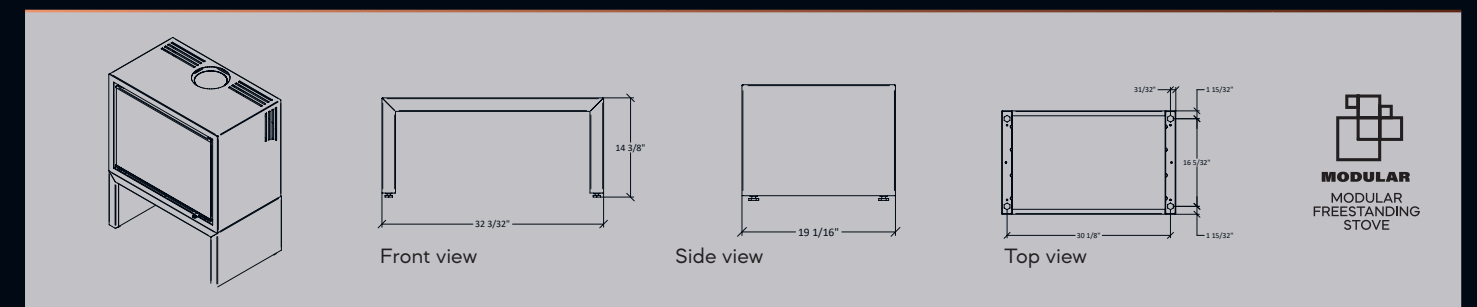
SPARTHerm-800-ZC



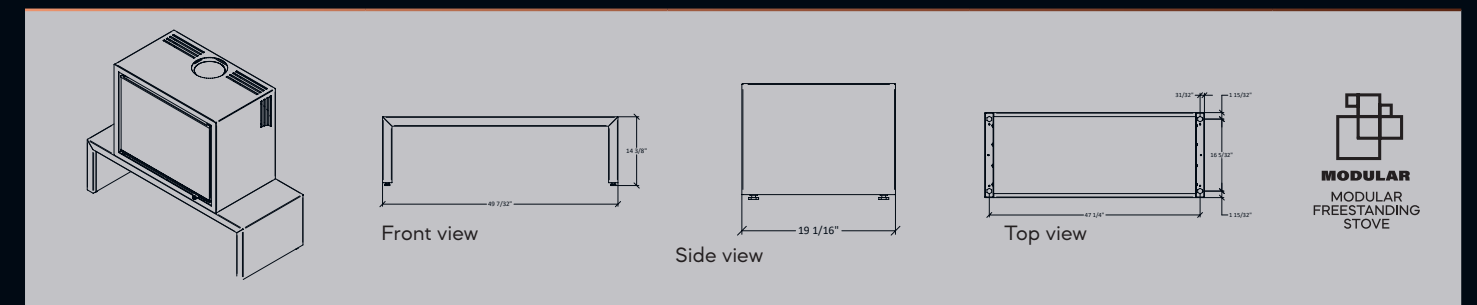
SPARTHerm-800-MO



SPARTHerm-BASE B 800-MO



SPARTHerm-BASE C 800-MO





YOUR SPECIALIST DEALER



Please note that this is not a installation manual.
Units have been placed for marketing purposes.
Please refer to the installation manual for official
installation instructions.

www.spartherm-america.com



Spartherm Feuerungstechnik GmbH

Maschweg 38 | 49324 Melle | Germany | Tel. +49 1522 2644162 | m.aumann@spartherm.com