

Installation guide for double sided units

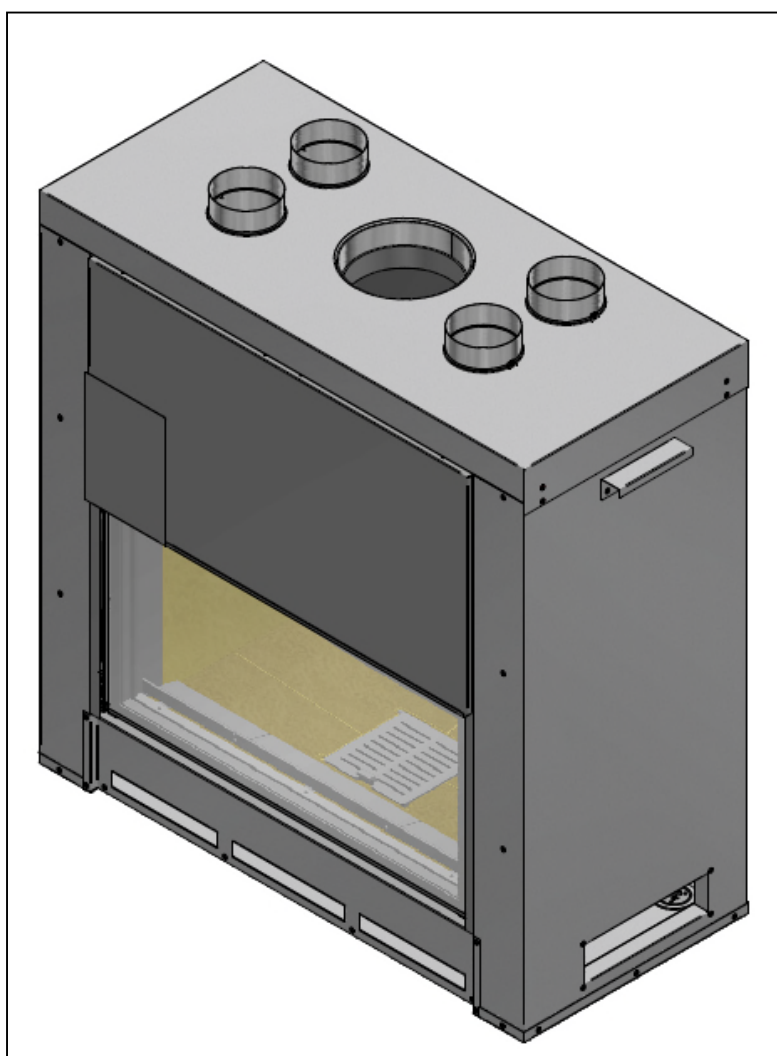
➤ Varia B-FDh-P4

Dismantling

WARNING

BEFORE MOVING AND PLACING THE FIREPLACE DISMANTLE THE UNIT. IMPROPER DISMANTLING CAN CAUSE PROPERTY DAMAGE! DO NOT MOVE THE UNIT WITH ASSEMBLED MANTLE.

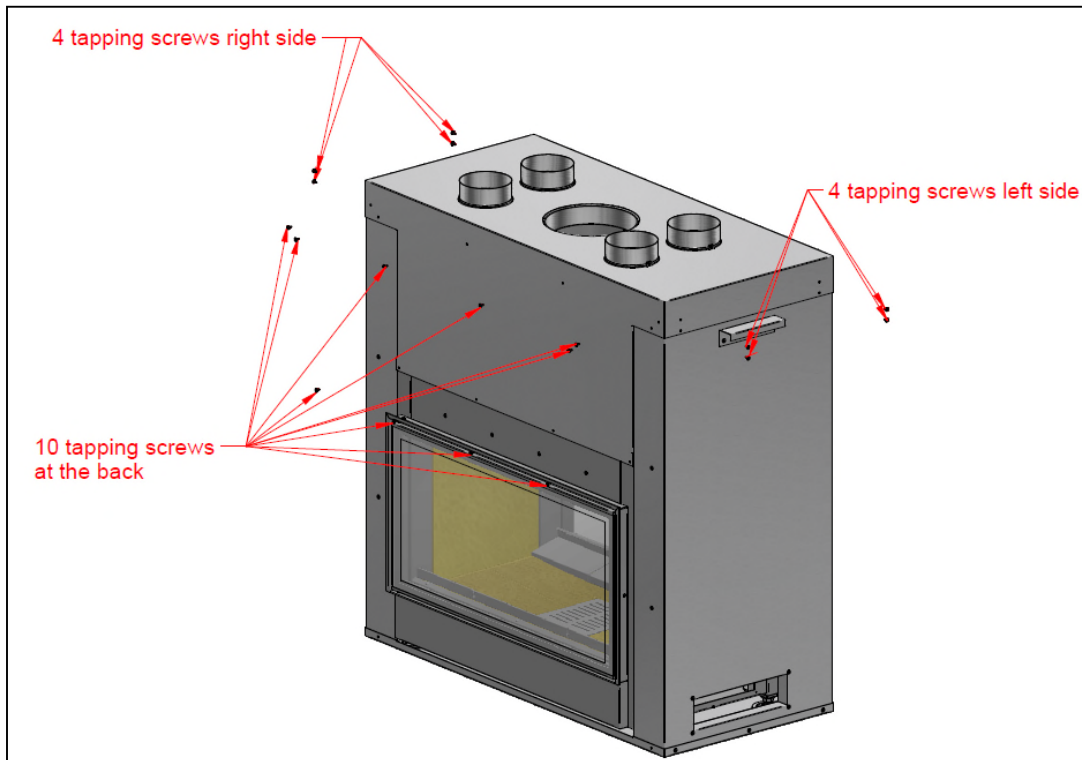
THE UNIT IS DELIVERED WITH INSTALLED ZERO CLEARANCE MANTEL.



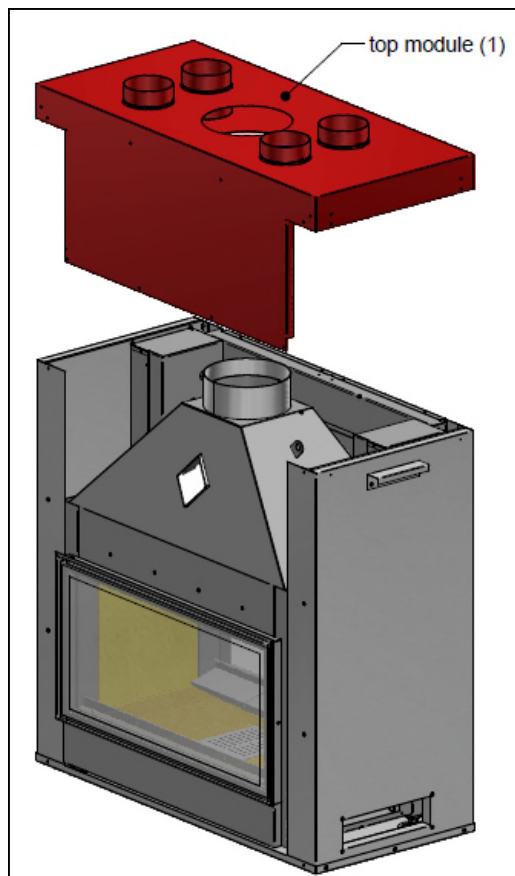
Varia B-FDh-P4

Step 1 – Dismantle the top module (1)

Loosen the 4 tapping screws at the left side, the 4 at the right side and the 10 at the back side (pic. 1). Remove the top module. It is marked by a sticker number “1” (pic. 2)



Picture 1

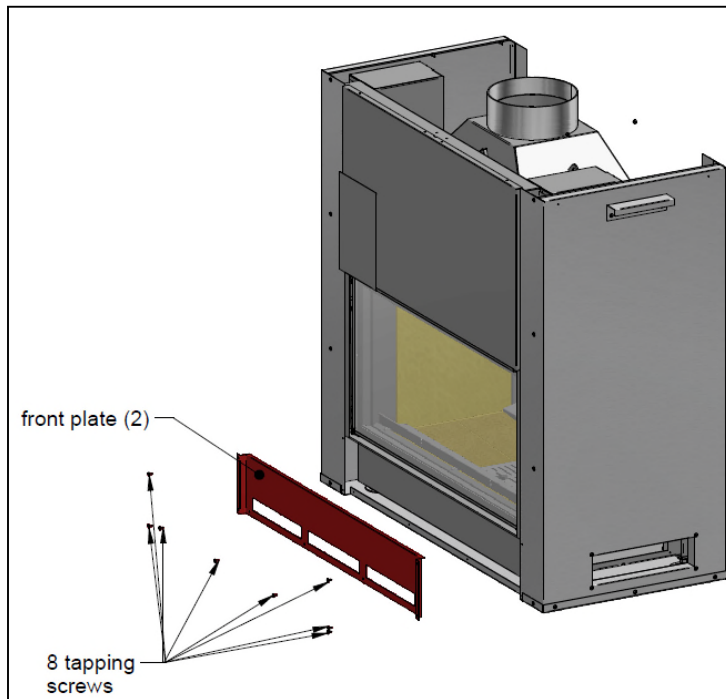


Picture 2

Step 2 – Dismantle the front plate (2)

Loosen the 8 tapping screws at the front.

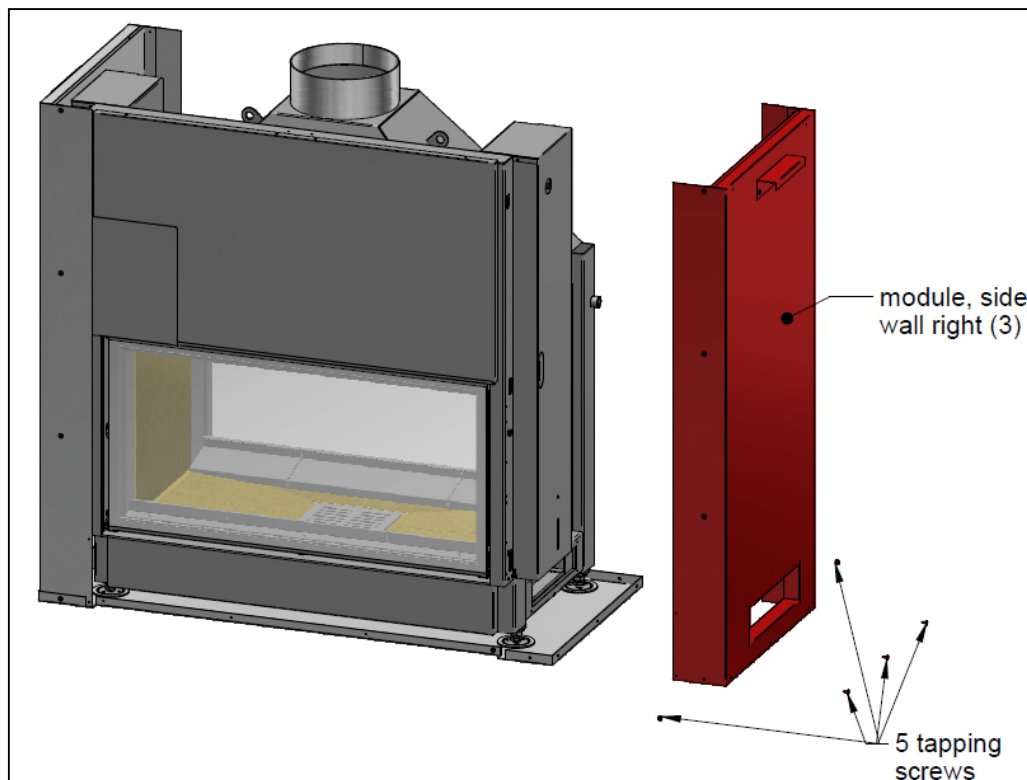
Remove the front plate. It is marked by a sticker number “2” (pic. 3)



Picture 3

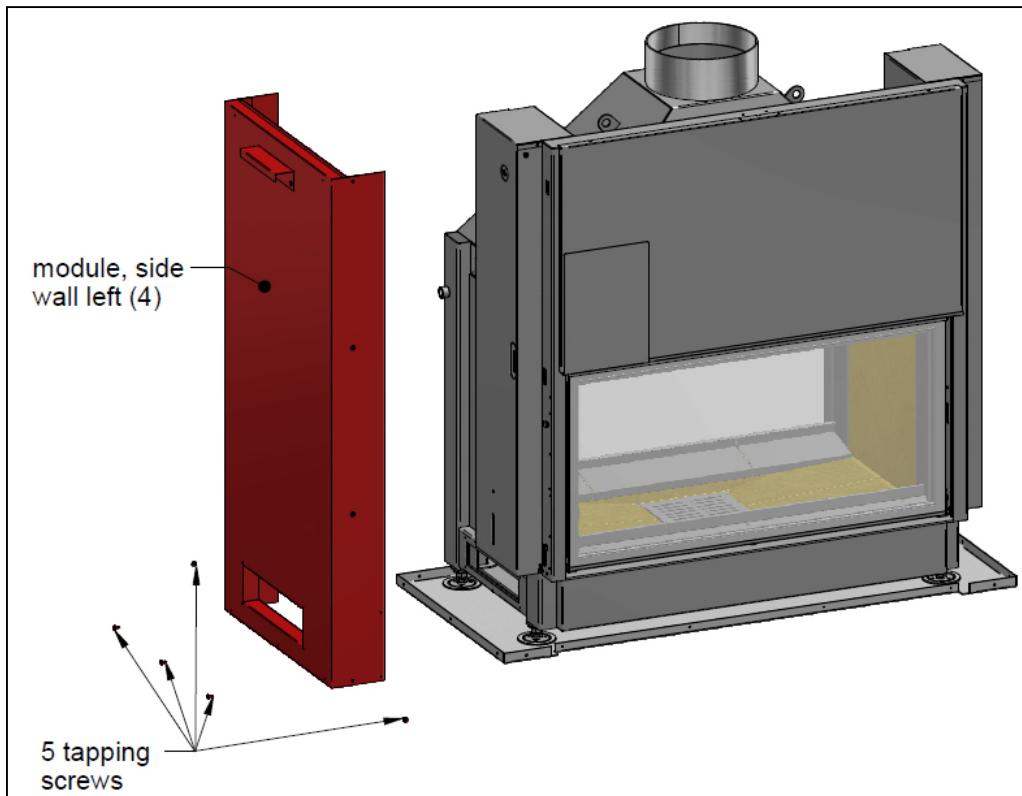
Step 3 – Dismantle the side modules (3+4)

Loosen the 5 tapping screws at the right side and remove the module, side wall right. It is marked by a sticker number “3” (pic. 4).



Picture 4

Loosen the 5 tapping screws at the left side and remove the module, side wall left. It is marked by a sticker number “4” (pic. 5).



Picture 5

Reinstallation of the Zero clearance mantel

Reinstall the Zero Clearance Mantel. Screw the parts as described in chapter 1 “Disassembly” in the reversed numerical order:

1. Install the module, side wall left (4).
2. Install the module, side wall right (3).
3. Install the front plate (2).
4. Install the top module (1).