

Installation guide for three sided units – “Peninsula”

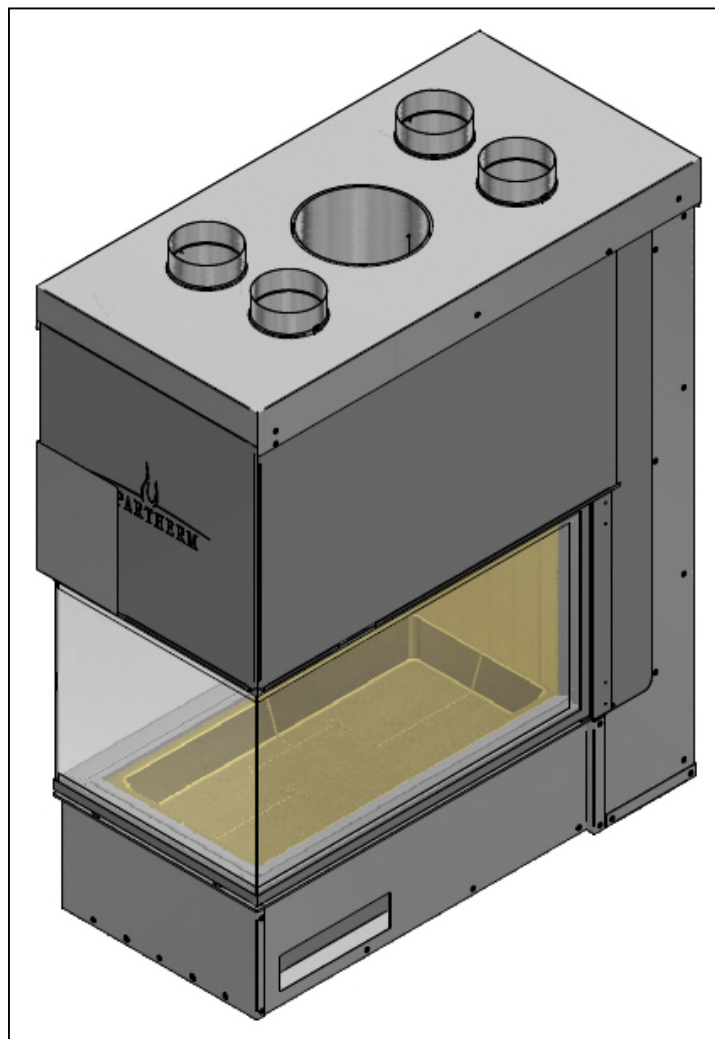
- **Arte U-50h-2016-P4**
- **Arte U-70h-2016-P4**
- **Arte U-90h-2016-P4**

Dismantling

WARNING

BEFORE MOVING AND PLACING THE FIREPLACE DISMANTLE THE UNIT. IMPROPER DISMANTLING CAN CAUSE PROPERTY DAMAGE! DO NOT MOVE THE UNIT WITH ASSEMBLED MANTLE.

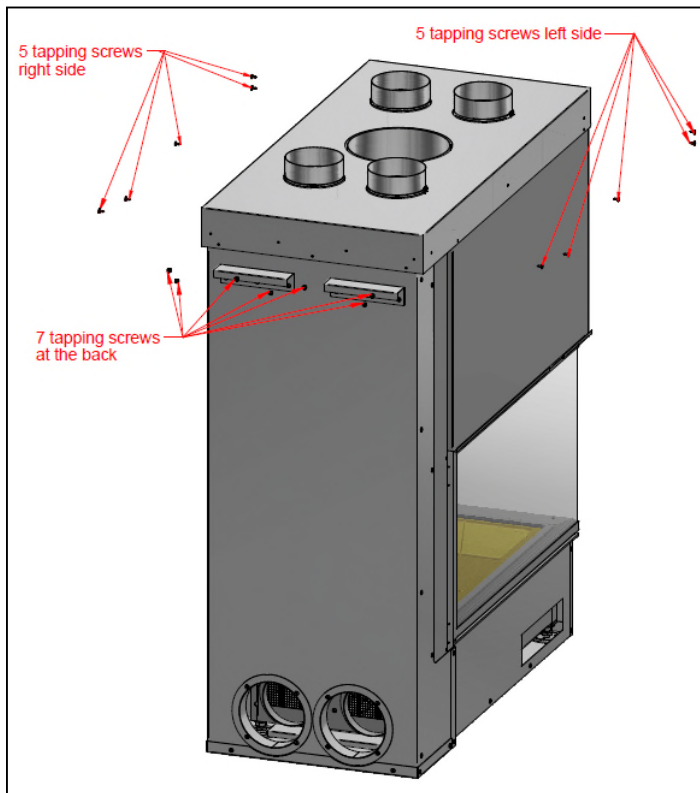
THE UNIT IS DELIVERED WITH INSTALLED ZERO CLEARANCE MANTEL.



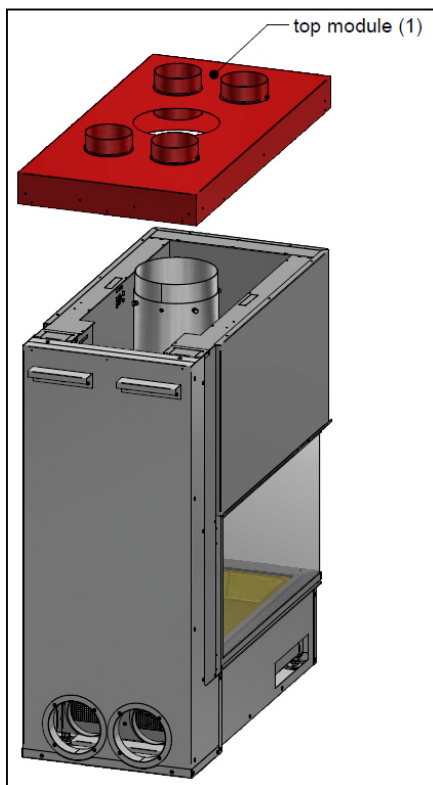
Arte U-90h-2016-P4

Step 1 – Dismantle the top module (1)

Loosen the 5 tapping screws at the left side, the 5 at the right side and the 7 at the back side (pic. 1). Remove the top module. It is marked by a sticker number “1” (pic. 2)



Picture 1

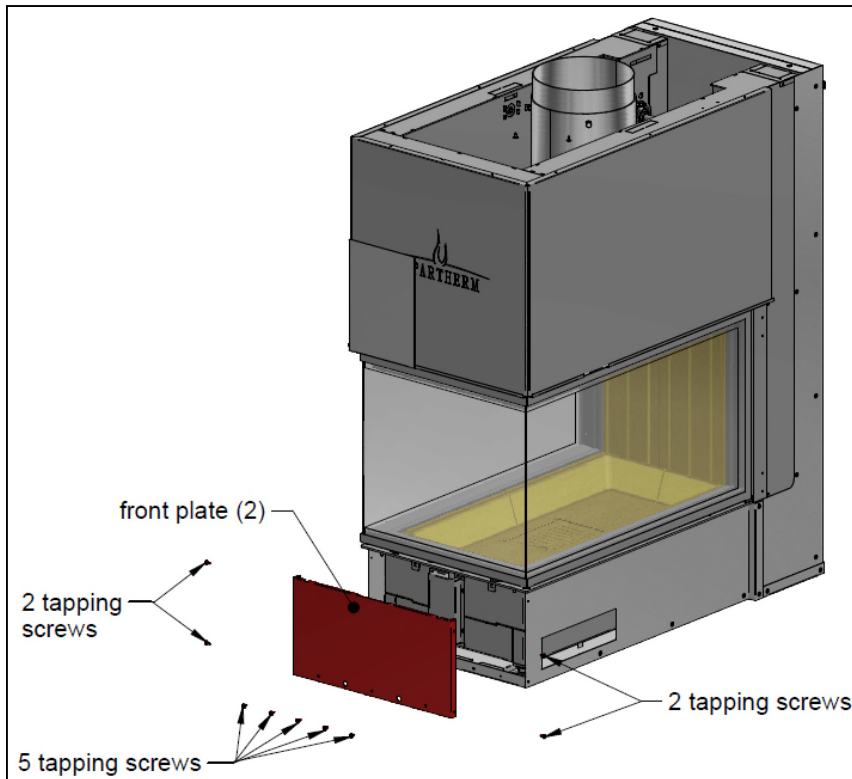


Picture 2

Step 2 – Dismantle the front plate (2)

Loosen the 10 tapping screws at the front.

Remove the front plate. It is marked by a sticker number “2” (pic. 3)

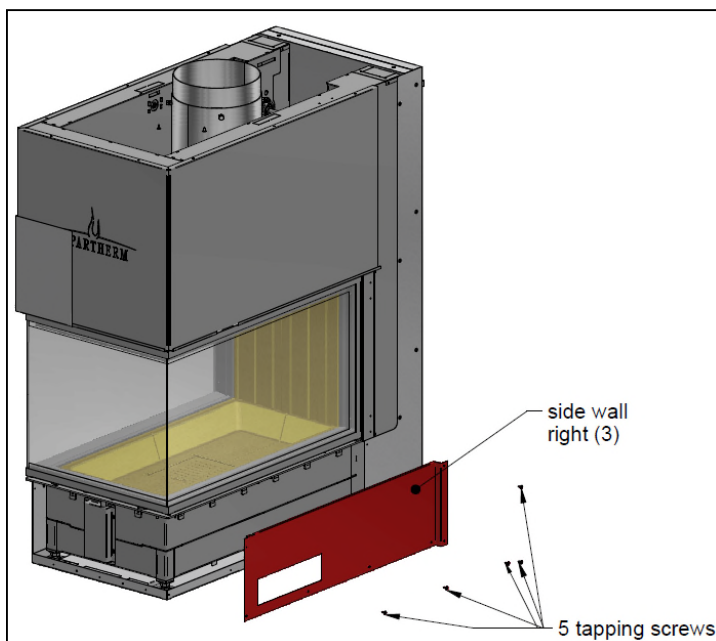


Picture 3

Step 3 – Dismantle the side walls (3+4)

Loosen the 5 tapping screws at the right side.

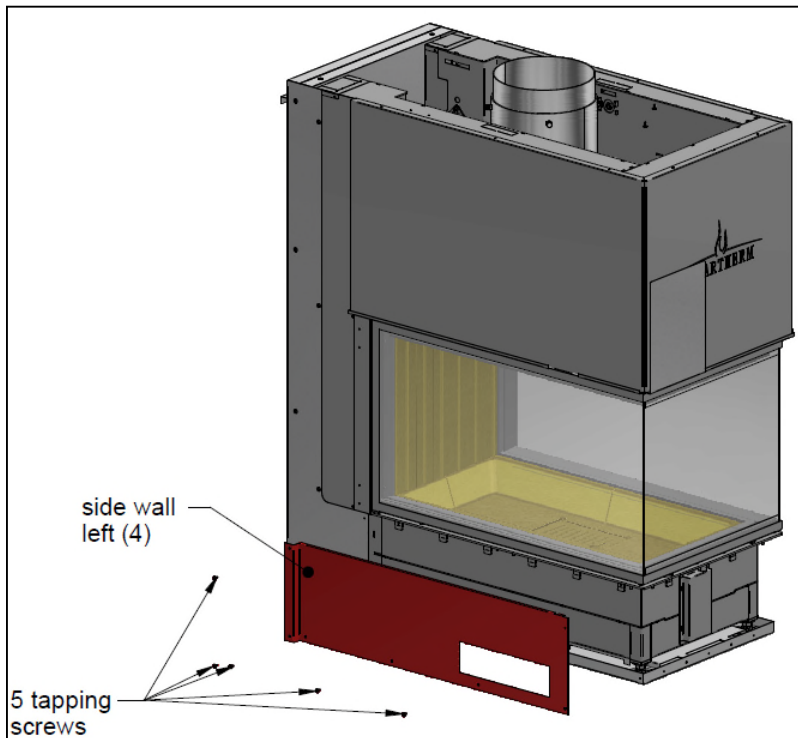
Remove the right side sheet. It is marked by a sticker number “3” (pic. 4)



Picture 4

Loosen the 5 tapping screws at the left side.

Remove the left side sheet. It is marked by a sticker number "4" (pic. 5)

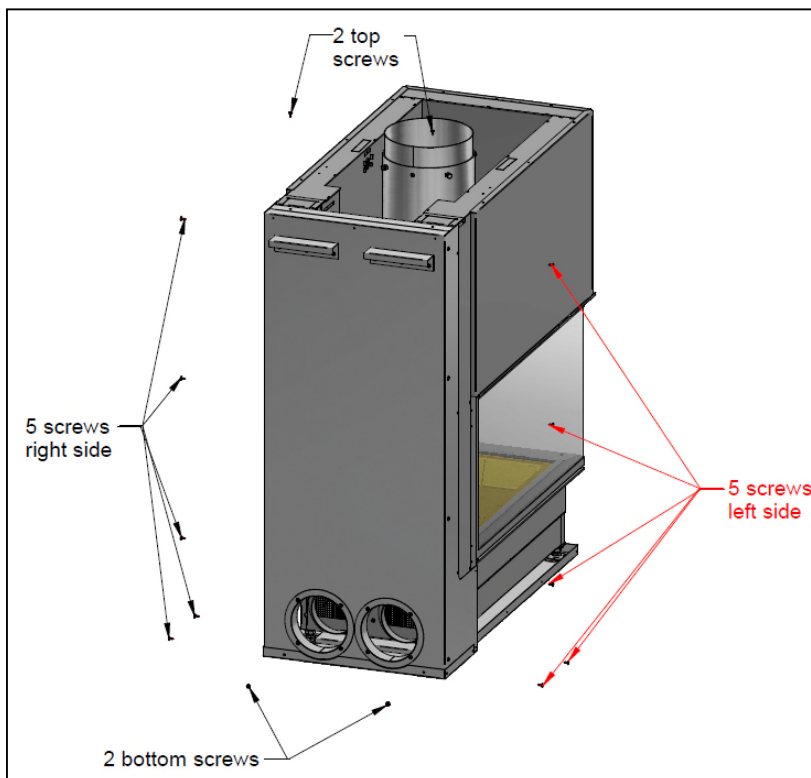


Picture 5

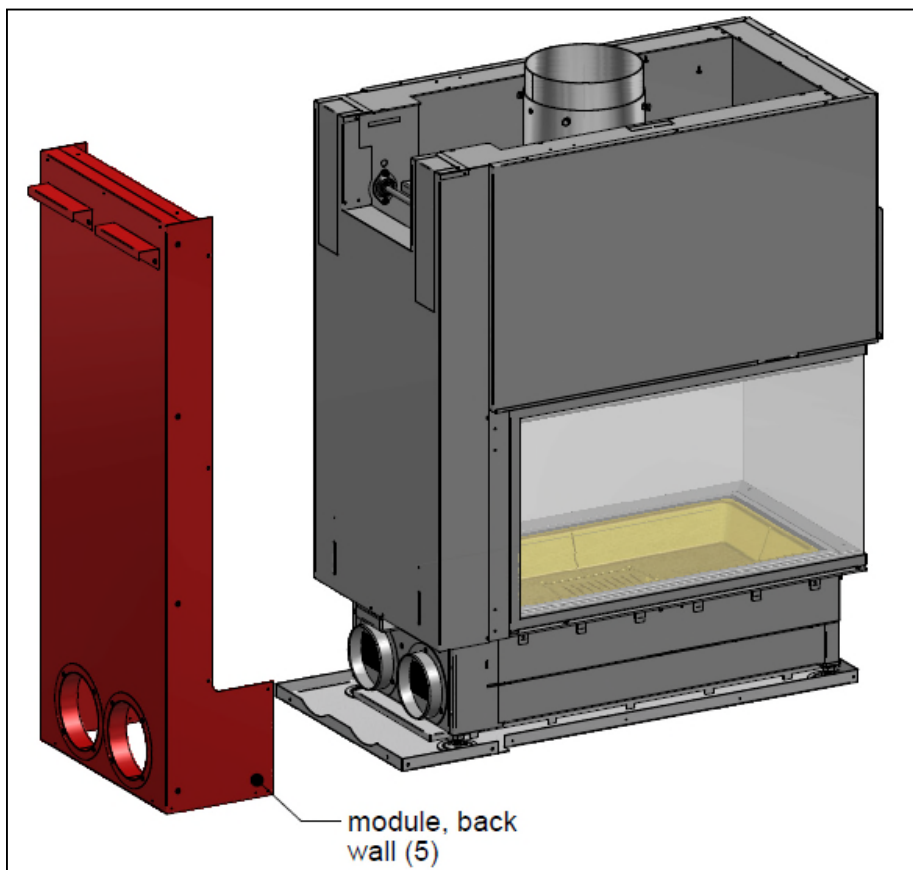
Step 4 – Dismantle the back module (5)

Loosen the 12 tapping screws at the left side (pic.6).

Remove the back module. It is marked by sticker number "5" (pic. 7).



Picture 6



Picture 7

Reinstallation of the Zero clearance mantel

Reinstall the Zero Clearance Mantel. Screw the parts as described in chapter 1 “Disman-
tling” in the reversed numerical order:

1. Install the module, back wall (5).
2. Install the left side sheet (4).
3. Install the right side sheet (3).
4. Install the front (2).
5. Install the top module (1).