

Optifire

Zero-clearance
Built-in
Fireplace



WITTUS[®]
FIRE BY DESIGN

The Optifire zero-clearance wood burning fireplace is powerful with clean minimalist lines. This built-in is a perfect match for use in new construction of contemporary and streamlined interiors.

Imported from Belgium from Bodart & Gonay, the environmentally responsible Optifire has over 70% fuel efficiency, higher combustion temperatures, and lower atmospheric emissions.

Powerfully heating up to 50,000 BTUs, the Optifire has an automatic thermostat that can be used for regulating heat output. There is an optional 260-cfm variable speed fan, which can be used to circulate warm air throughout the room.

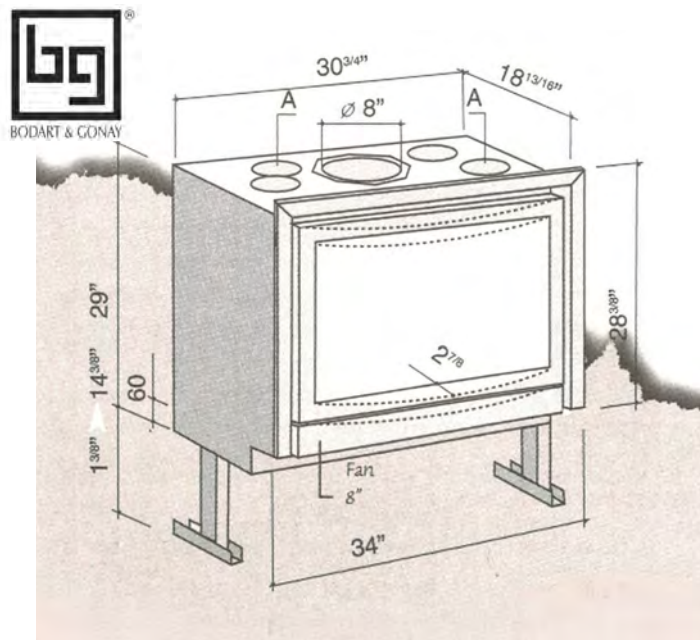
The Optifire is available either with a sleek "flat screen" door or a convex style curved door that broadens your viewing area (especially nice in a corner installation).

Measuring 34" wide by 28" high and 19" deep, it includes a narrow frame (either 3-sided or 4-sided) in a rich charcoal gray.

The Optifire is sleekly designed with all the technical components camouflaged for an uninhibited view of the fire. For added convenience, a technologically advanced air wash system keeps the glass clean and clear. The ash pan and grate system enables easy maintenance.

You can also add on up to four venting channels to create a wood-fueled central heating system and warm additional areas and rooms.

The Optifire is safety tested to UL 127 standards in the U.S. and ULC S6610-M87 in Canada.



Technical Specifications		
Material	Steel	
Color	Charcoal	
Heat output range	20-50kBTU	6-18kW
Heating area	1,000—3,000ft ²	
Flue size	8"	20.3cm
Venting	Top	
Weight	307lb	139kg
Dimensions: h/w/d	28/34/19"	71/86/48cm
Firebox: h/w/d	19/27/12"	48/69/30cm

Wittus Inc.
P.O. Box 120
Pound Ridge NY 10576
T 914.764.5679
F 914.764.0465
www.wittus.com
info@wittus.com
© 2013 Wittus Inc.



WITTUS
FIRE BY DESIGN