



fire feature



Installation Operation & Maintenance

L52DF-ST (See-thru)

Direct-Vented Gas Fireplace

Safety Notice:

Glass doors on gas fireplaces are extremely hot while the fireplaces is on and remain hot even after the fireplace has been turned off. Safety screens are available and can reduce the risks of severe burns. Please keep children away from the fireplace at all times.

Check local codes and read all instructions prior to installation.

Warning:

Improper installation, adjustment, alteration, service or maintenance can cause injury or property damage. Refer to this manual. For assistance or additional information consult a qualified installer, service agency or the gas supplier.

For Your Safety:

Do not store or use gasoline or other flammable vapors and liquids in the vicinity of this or any other appliance.

- *Installer: Leave this manual with the appliance.*
- *Consumer: Leave this manual for future reference.*

What To Do If You Smell Gas:

- *Do not try to light any appliance.*
- *Do not touch any electrical switch; do not use any phone in your building.*
- *Immediately call your gas supplier from a neighbor's phone. Follow the gas supplier's instructions.*
- *If you cannot reach your gas supplier, call the fire department.*



Table Of Contents

Introduction 2

Installation

 Installing and Framing the Fireplace 3

 Installing the Gasline 4

 Vent Installation 4

 Installation Requirements 4

 Installing the Remote Switch 5

 Vent Terminations 5

 Top Vent Runs 6-8

 Finishing around the fireplace

 Fireplace Facing 8-9

 Mantels and Surrounds 8

 Surround Heat Shield 8

 Wiring 9

 Removing and Installing the Door 9

Operation 10 - 13

Maintenance 14

 Troubleshooting 14

Warranty 15

Appendix

 A. Termination Locations 16

 Parts List 17

Introduction

Thank You for choosing a Montigo Gas Fireplace.

About this Fireplace:


The **L52DF See-thru** is a fireplace with a linear-style burner. This fireplace can be converted to both a Top Vent or Rear Vent application, and is only currently available in the L52DF-ST (See-thru) model.

The **L52DF-ST** (See-thru) is rated for Natural Gas at 40,000 BTU/H (11.73 Kilowatts) Input or Propane at 34,000 BTU/H (9.97 Kilowatts) Input.

- **L52DF-ST**; Top Vent, Millivolt Pilot.
- **L52DF-ST-I**; Top Vent, Intermittent Pilot (HSI).
- **L52DF-ST-A**; Top Vent, American Flame.

How to use this manual:

This manual covers installation, operation and maintenance. Lighting, operation and care of this fireplace can be easily performed by the homeowner. However, all installation and service work should be performed by a qualified or licensed installer, plumber, or gas fitter who is qualified or licensed by the state, province, region, or governing body in which the appliance is being installed.

This manual covers all models and unless otherwise specified, the designation **L52DF-ST** refers to all variations of the model above. Sections which are specific to a particular variation are marked with a  symbol, plus the appropriate model number.

Warranty and Installation Information:

The Montigo warranty will be voided by, and Montigo disclaims any responsibility for, the following actions:

- Modification of the fireplace and/or components including Direct-Vent assembly or glass doors.
- Use of any component part not manufactured or approved by Montigo in combination with this Montigo fireplace system.
- Installation other than as instructed in this manual.

Consult your local Gas Inspection Branch on installation requirements for factory-built gas fireplaces. Installation & repairs should be done by a qualified contractor.

Installations in Canada must conform to the current **CAN/CGA B-149.1** and **.2** Gas Installation Code and local regulations. If the optional air-circulating fan kit is installed, it must be electrically grounded in accordance with **CSA C22.1** Canadian Electrical Code Part 1 and/or Local Codes.

Installations in the USA must conform to local codes, or in the absence of local codes to the National Fuel Gas Code, **ANSI Z223.1-1988**. If the optional air-circulating fan is installed, it must be grounded in accordance with local codes or, in the absence of local codes, with the National Electrical Code, **ANSI/NFPA 70-1987**. Within the State of Massachusetts this fireplace must comply with NFPA-54 Chapter 10.

CAUTIONS

Due to its high operating temperatures, the appliance should be located out of traffic & away from furniture and draperies.

- Children and adults should be alerted to the hazards of the high surface temperature, which could cause burns or clothing ignition.
- Young children should be carefully supervised when they are in the same room as the appliance.
- Clothing or other flammable materials should not be placed on or near the appliance.

Installation



Installing The Fireplace Shell

The fireplace may be installed in any location that maintains proper clearances to air conditioning ducts, electrical wiring and plumbing. Safety, as well as efficiency of operation, must be considered when selecting the fireplace location. Try to select a location that does not interfere with room traffic, has adequate ventilation, and offers an accessible pathway for Direct Vent installation. Refer to page 4 - *Vent Installation* for more information.

The fireplace dimensions are shown below:

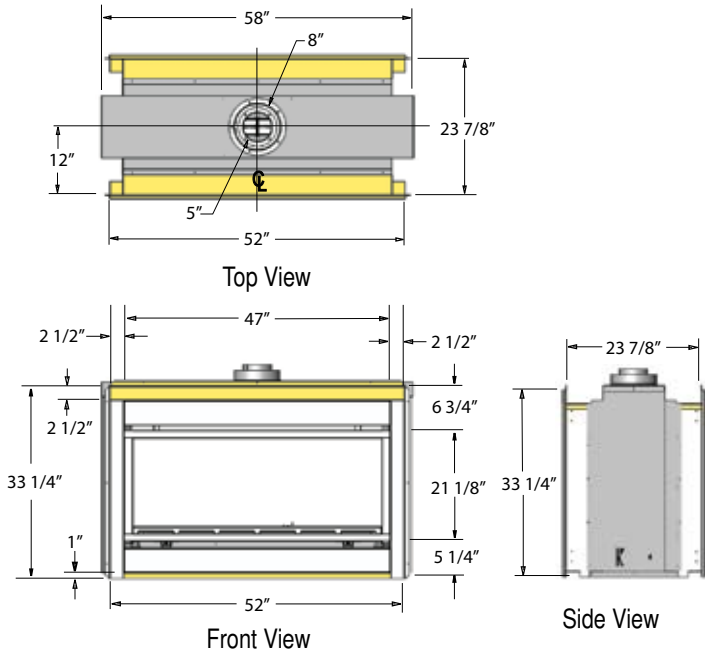


Figure 1. Fireplace dimensions.

Clearances

These clearances apply to all dimensions **except the framed opening**, where the clearance to combustibles is **0"**. The L52DF-ST clearance to unprotected combustible walls which are perpendicular to the fireplace opening, must not project beyond the shaded area shown in Fig. 24.

For protection against freezing temperatures, it is recommended that outer walls of the chase be insulated with a vapor barrier. This will reduce the possibility of a cold-air convection current on the fireplace.

Clearance to Combustibles	
	L52DF-ST
Top (Top Vent)	30"
Sides	1"
Floor	0"
Mantel	4"

* Clearance from the top of the fireplace to a combustible ceiling within the fireplace enclosure.

** Refer to page 14.

Framing

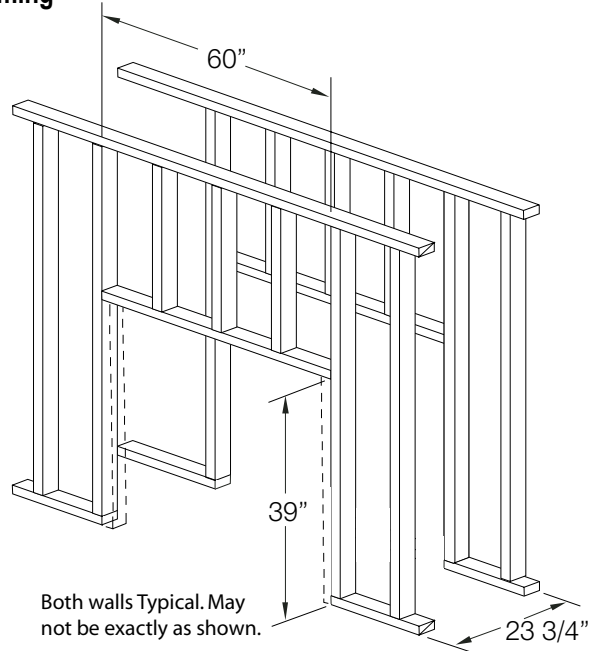


Figure 2. Framing dimensions.

Frame the fireplace cavity according to Figure 2. Slide the fireplace into the cavity. Tack four studs (Vertical) in place as shown in Figure 2a. Secure the fireplace in position by nailing into these cleats. (*Minimum 2" clearance must still be maintained around the vent pipes.*)

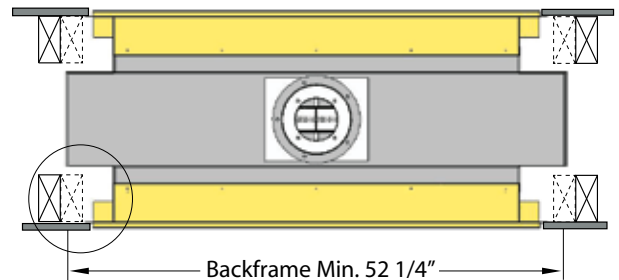


Figure 2a. Securing the fireplace to the framing.

WARNING:

When this appliance is installed directly on carpeting, tile or any combustible material other than wood flooring, it must be installed on a metal or wood panel extending the full width and depth of the appliance.



Installation

Installing The Gas Line

The gas line must be installed before finishing the L-Series DF Fireplace. **Natural Gas** requires a minimum inlet gas supply pressure of 5.5" W.C. & a manifold pressure of 3.5" W.C. **Propane Gas** requires a minimum inlet gas supply pressure of 11" W.C. & a manifold pressure of 10" W.C. Provision must also be made for a 1/8" N.P.T. plugged tapping and be accessible for test gauge connection immediately upstream of the gas supply controls to the appliance. The fireplace gas connection and the main operating gas valve is located behind the removable trim at the bottom of the unit and need only be attached to the gas line with an approved fitting, as required by the **applicable installation codes**.

To access the fireplace gas connection the main burner must be removed as shown below in figure 5a.

- Only use gas shut-off valves approved for use by the state, province, region, or governing body, in which the appliance is being installed, or as required by the applicable installation codes.
- Flexible gas connectors must not exceed 3 feet in length, unless it is allowable within applicable installation codes.

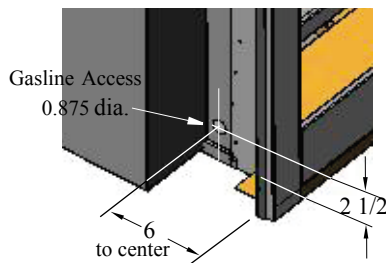


Figure 5a. Gas line access.

The appliance and its individual shut-off valve must be disconnected from the gas supply piping system during any pressure testing of that system at test pressures in excess of 1/2 psig (3.5 kPa).

The appliance must be isolated from the gas supply piping system by closing its individual manual shut-off valve during any pressure testing of the gas supply piping system at test pressures equal to or less than 1/2 psig (3.5 kPa).

Note: After gas line is connected, **each appliance connection, valve and valve train** must be checked while under normal operating pressure with either a liquid solution, or leak detection device, to locate any source of leak. Tighten any areas where bubbling appears or leak is detected until bubbling stops completely or leak is no longer detected. **DO NOT use a flame of any kind to test for leaks.**

Vent Installation

This section covers the installation of direct venting and terminations.

Installation Requirements

- L52DF-ST fireplaces are certified for use with Montigo Standard Series (5" / 8") venting components.
- Minimum **clearance to combustible construction around the vent pipe is 1"** on all sides, except on horizontal venting where the **top** of the pipe must have a clearance of at least 2".
- Use only *certified Montigo vent components*. (Use of other parts will void the Montigo warranty, and may impede the operation of the fireplace.)
- All joints must be secured with a minimum of two screws per joint
- Vent terminations must not be recessed in walls or siding
- Horizontal runs must be supported by a minimum of two supports per horizontal run. A minimum of one screw on each side of support is also required
- Flex vent sections may be stretched up to 50% of their total length (eg. a 24" section may be stretched to 36")
- Maximum horizontal run with no vertical rise is 6 feet.
- Flex vent sections over 6 feet must fall within the limits set by the venting graph and must have a minimum vertical rise of 3 inches per foot of flex.
- Solid vent sections may be cut less than half way from the female end
- Venting components can be used in any combination of solid/rigid pipe or flex pipe and in any orientation (Male connectors can face in any direction)

Cautions:

- Vent terminations can be very hot. If the termination is less than 7 feet above a public walkway, it should be fitted with a certified Montigo Heat Guard. (Part no. PTKOG).
- Do not obstruct, or attempt to conceal, the vent termination. These actions will affect the operation of the fireplace, and may be hazardous.
- In heavy snow areas, take extra care to prevent snow buildup from obstructing the vent termination.
- Use Montigo VSS Vinyl Heat Shield when using on applications with vinyl siding to guard against possible damage.

Installing The Remote Switch

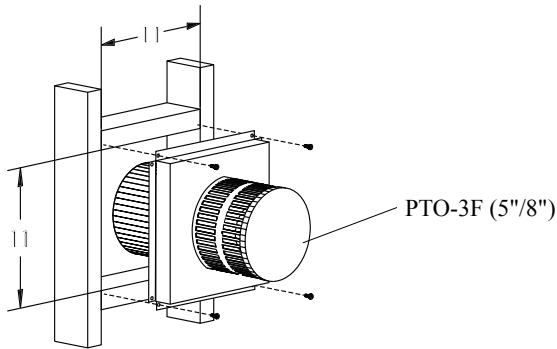
The L-Series DF's gas valve, located behind the lower trim, may be connected to a wall switch. The valve generates its own power on a **millivolt circuit**. Use only **low voltage wire**, and **DO NOT** connect any external power to it.

Note: The switch location must not exceed 30' from the fireplace.

Installation

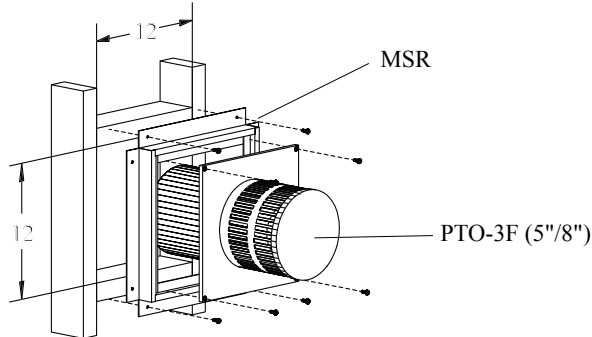


Installing Terminations with Built-In Frames



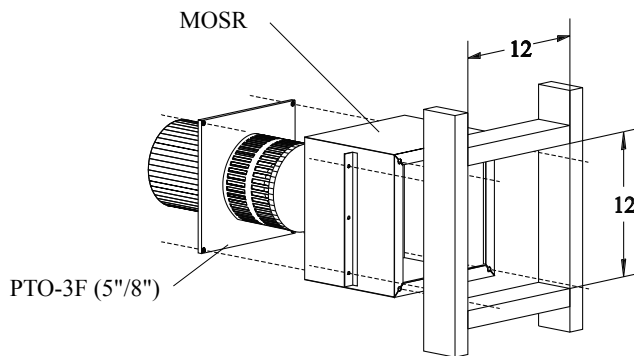
1. Frame the termination opening to 11" x 11".
2. Fasten the termination to the studs using a minimum of 4 screws.

Installing Terminations with MSR Frames



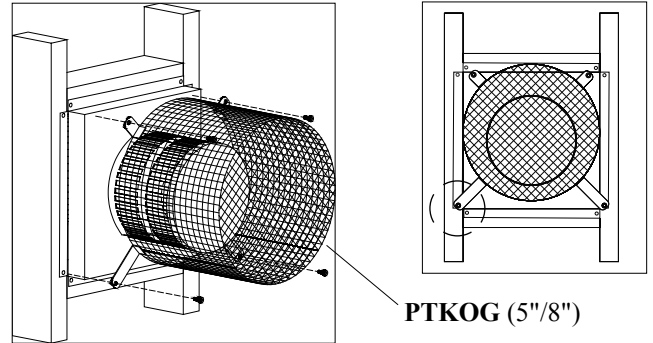
1. Frame the termination opening to 12" x 12".
2. Fasten the termination to the studs using a minimum of 4 screws.

Installing Terminations with MOSR Frames



1. Frame the termination opening to 12" x 12".
2. Fasten the MOSR frame to the interior side of the studs using a minimum of 4 screws.
3. Insert the termination into the MOSR frame as shown here, and attach by screwing through the four pilot holes in the termination.

Installing Heat Guards over Terminations



1. Ensure that the two **long** mounting brackets are facing the bottom of the termination. (See inset). This will provide more heat protection at the top of the termination, where temperatures are highest.
2. Attach to the faceplate of the termination using four sheet metal screws.

Installation



Top Vent Venting Runs

L52DF-ST

L52DF-ST

Example A: (Unacceptable Installation)

If the vertical dimension from the hearth is 84" and the horizontal run to the wall flange of the vent termination is 60", **this would NOT be an acceptable installation.**

Example B: (Acceptable Installation)

If the vertical dimension from the hearth is 108" and the horizontal run to the wall flange of the vent termination is 120", this would be an Acceptable installation.

Example C: (Unacceptable Installation)

If the vertical dimension from the floor of the fireplace is 72" and the horizontal run to the wall flange of the vent termination is 84", **this would NOT be an acceptable installation.**

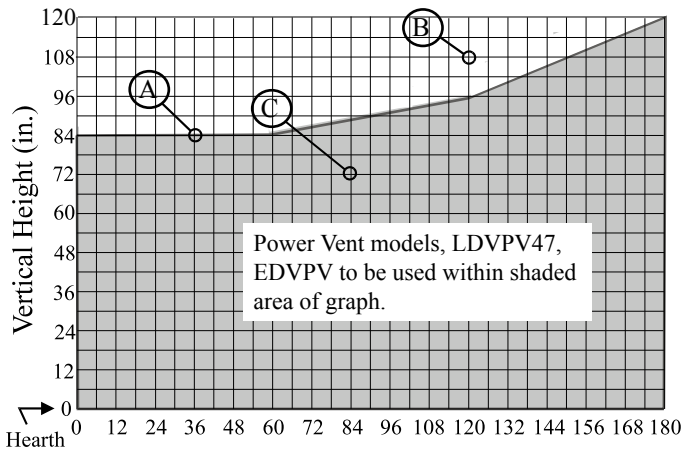


Figure 9c. L52DF-ST Top Vent Venting Graph

NOTES: All dimension lengths for vertical or horizontal runs are measured from centre of the vent pipe.

Venting runs *must* fall within the limits set by the venting graph (see Figure 9a).

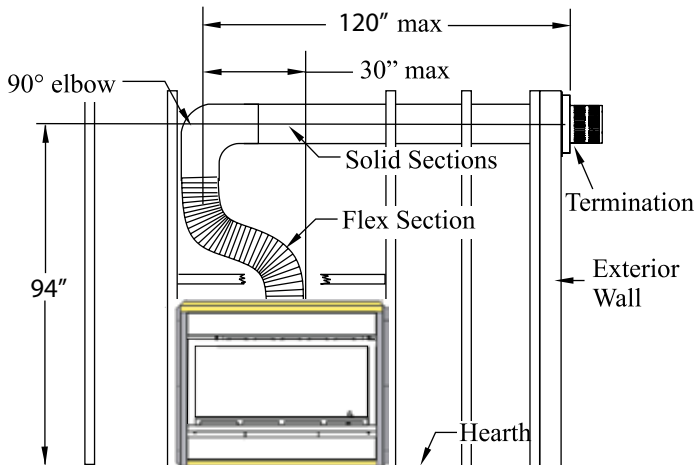


Figure 13. Retracted Installation using a combination of solid and flex venting. Use the vent graph to determine your allowable run, then select appropriate components.

B. Vertical (Through-The-Roof) Installations

5/8" with option for 4/7" (on applicable models)

- Vertical rise >12' can be reduced (on applicable models).
- Vertical Terminations must be installed:
 - minimum 2' (two feet) above the highest point where vent passes through the roof.
 - minimum 6' (six feet) from a mechanical air inlet
 - minimum 18" (1 1/2 feet) from a parapet wall.

- Maximum vent height is:
 - **L52DF-ST** 35 feet above fireplace.

Note: Flame characteristics will change if the maximum vent height is used.

- Minimum clearances 2" from vent to all combustible materials must be maintained.

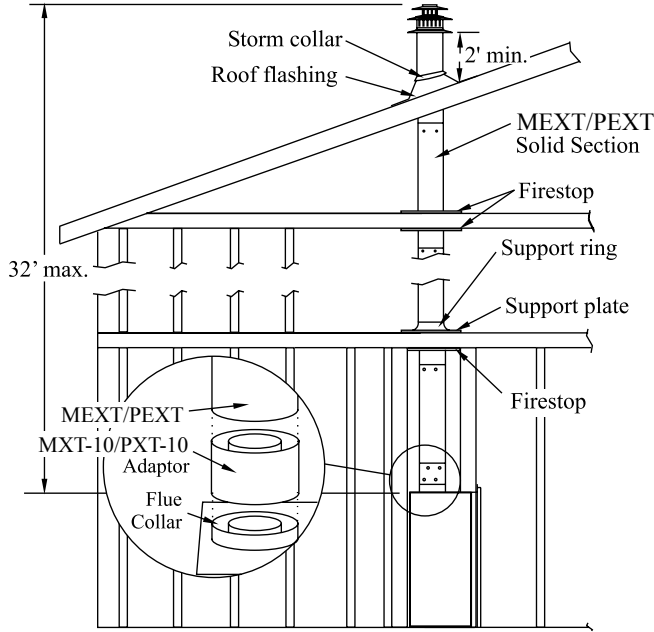
- A maximum of two offsets (**each offset has two 90° bends**) may be made and shall not exceed total length of 25% of the vertical vent height, when measured center to center of piping.

Example: Typical vent installation.
 20' vertical vent
 2 - 2' offsets required
 25% of 20' = 5' max. offset allowed

This venting configuration meets requirements.

	4" / 7" Venting	5" / 8" Venting
A - Termination	MVTK-1	PVTK-1
B - Flex Sections	MFL-1 (12" Section) MFL-2 (24" Section) MFL-3 (36" Section) MFL-4 (48" Section)	PFL-1 (12" Section) PFL-2 (24" Section) PFL-3 (36" Section) PFL-4 (48" Section)
C - Rigid Sections	MEXT-1 (12" m/f Section) MEXT-2 (24" m/f Section) MEXT-3 (36" m/f Section) MEXT-4 (48" m/f Section)	PEXT-1 (12" m/f Section) PEXT-2 (24" m/f Section) PEXT-3 (36" m/f Section) PEXT-4 (48" m/f Section)
D - Support Ring & Plate	MSPXT-8	PSPXT-8
E - Firestop	FS-8	PS-8
F - Roof Flashing	MRF-7 (1/12 - 7/12 pt.) MRF-12 (7/12 - 12/12 pt.)	PRF-7 (1/12 - 7/12 pt.) PRF-7 (7/12 - 12/12 pt.)
G - Adaptor / Vent Reducer		PVA5487 (5"/8" to 4"/7")

Installation



* For venting MIN 1" clearance to all vertical combustibles, MIN 2" to all horizontal combustibles.

Figure 15. Straight, vertical venting showing required PXT-10 adaptor (supplied with the PVTK-1 termination).

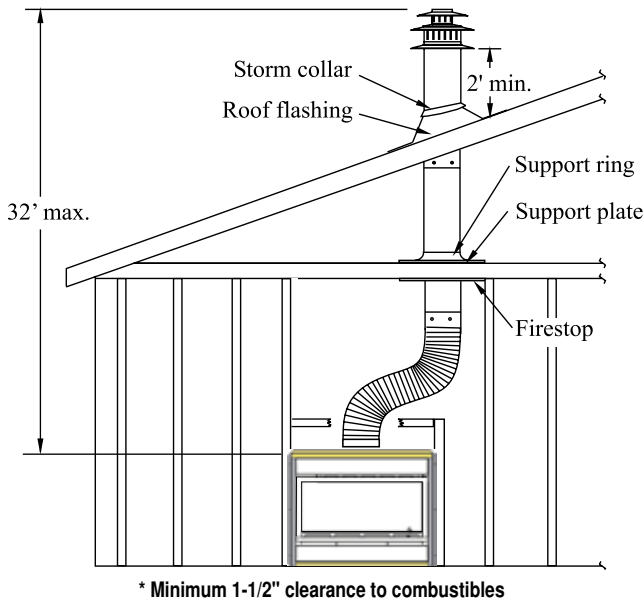


Figure 16. Vertical venting with 1 offset (1 offset= two 90° bends).

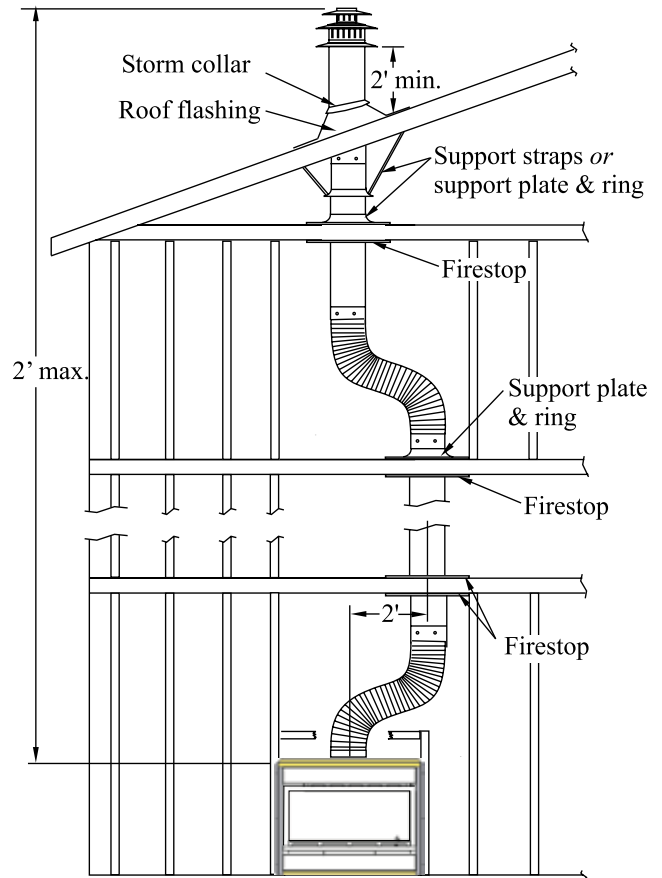


Figure 17. Vertical venting with 2 offsets (1 offset= two 90° bends).

Reduced Vertical Installation

It is possible to reduce vertical vent runs from 5⁵/₈" venting to 4⁷/₇" venting. Reduced vertical venting may only be used when the installation exceeds 12 feet and terminates through the roof, and if the vertical vent reducer is used with the following venting configuration.

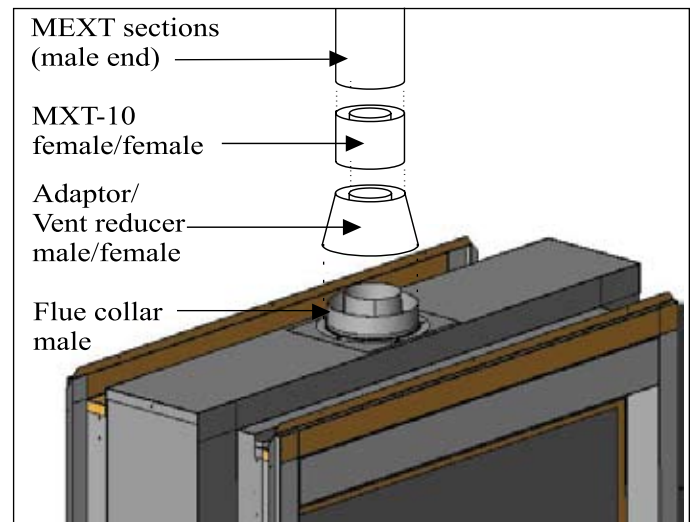


Figure 18. Reducing Vertical Vent from 5⁵/₈" to 4⁷/₇".

Installation



Finishing Around the Fireplace

Combustible mantels and mouldings may be safely installed over the top and on the front of the fireplace provided that they do not project beyond shaded area shown in **Figure 24**. Side wall clearances are 3". Combustible surrounds may be installed with 3" clearance to the side of the fireplace as shown in **Figure 25**.

When selecting the finish material for your fireplace, it is important to remember the following:

If the surround of the fireplace is to be painted to match the room decor, heat-resistant paint must be provided. Also, decorative facing must not extend past the fireplace opening at all because it will interfere with the access to retainers for removal of glass door and access to the lower compartment.

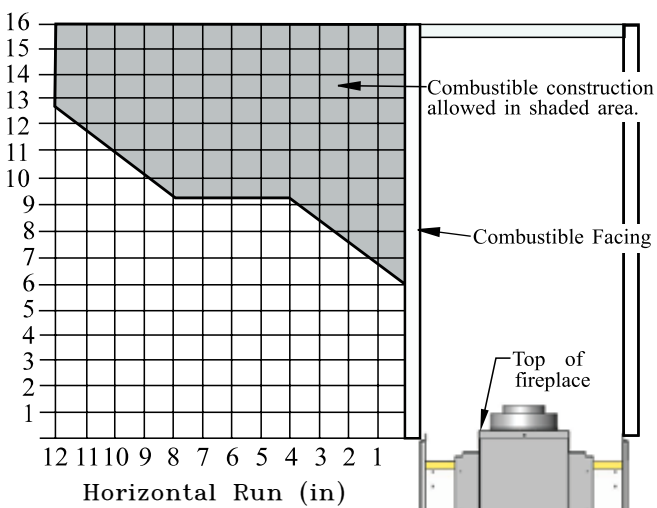


Figure 24. Combustible mantels and facings.

Mantels & Surrounds

NOTE: National Canadian Gas Association mantel test requirements are for fire hazard prevention to combustible materials.

New technology, to meet consumer and government demands for the wise use of energy, has prompted us to manufacture many models of fireplaces which are hot, fuel and energy efficient.

Please be aware; temperatures over the mantel will rise above normal room temperature and walls above fireplace may be hot to touch.

Warning:

When covering the upper metal portion of the fireplace with a non-combustible material Please Note: The decorative facing materials may be subject to temperatures in excess of 250° F. This should be considered when selecting facing materials.

We recommend careful consideration be given to the effects of elevated mantel temperatures which may be in excess of product design, for example: candles, plastic or pictures. This can cause melting, deformation, discoloration or premature failure of T.V. and radio components.

Painting:

Special care is recommended by the Master Painters and Decorators Association, when painting the fireplace surrounds, to select and apply a quality **Alkyd sealer** prior to the applying of latex paints. This is to prevent leaching of water from evaporation and causing a brownish staining effect to paint over coats.

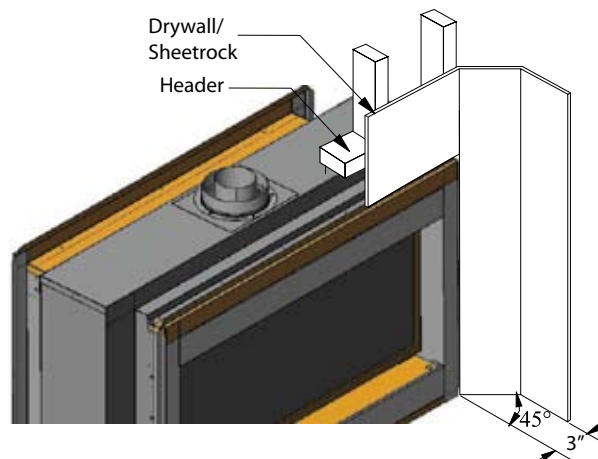


Figure 25. Combustible surrounds, (Both Sides Typical).

Installation

Notes

Wiring

Gas Control and Pilot Wiring

L52DF-ST-I

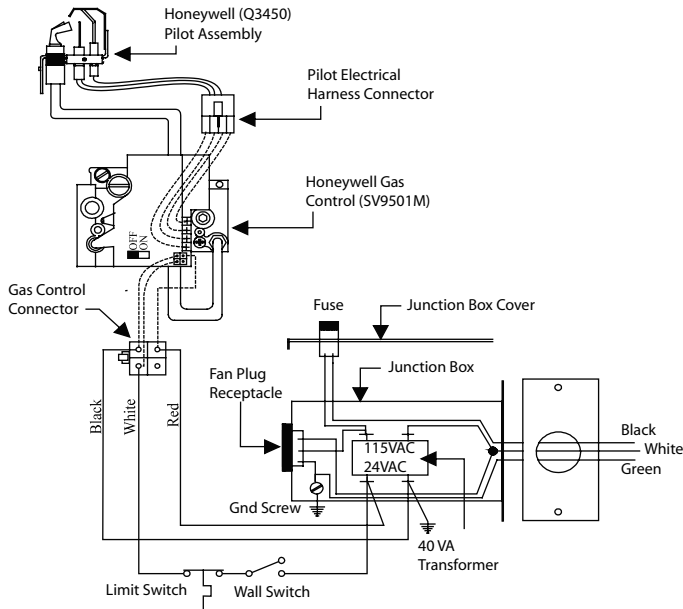


Figure 26. Wiring for the L-Series DF-I with Honeywell gas control and pilot.

Removing and Installing the Doors.

Removing the doors:

The doors are held in place by a lip on the top of the metal frame and three buckles at the bottom. Release the buckles and lift the door carefully up and away from the front of the fireplace. See figures 28a and 28b.

Installing the doors:

Hook the top edge of the door frame into place. Lower and rest the door frame in place and fasten the buckles. Repeat procedure for other door. See figures 28a and 28b.

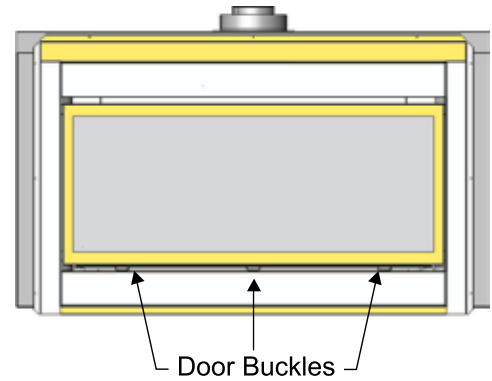


Figure 28a. Removing and installing the glass doors. (Both Sides Typical).

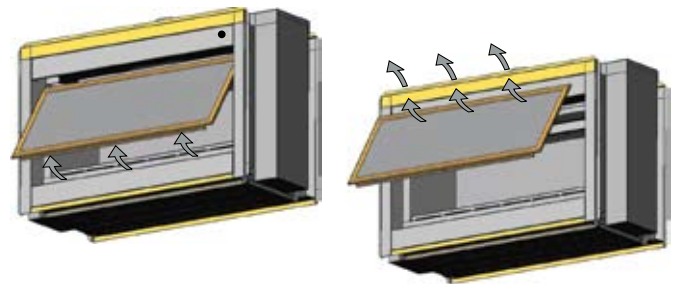


Figure 28b. Removing and installing the glass doors. (Both Sides Typical.)

Cautions:

- DO NOT OPERATE THIS FIREPLACE WITHOUT THE GLASS DOOR OR WITH A BROKEN GLASS DOOR.



L52DF-ST

Operation - Model L-Series DF

with Continuous Pilot

For Your Safety - READ BEFORE LIGHTING:




WARNING: If you do not follow these instructions exactly, a fire or explosion may result causing property damage, personal injury or loss of life.

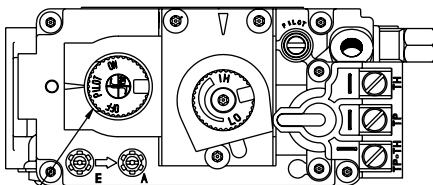
- A. This appliance has a pilot which must be lighted by hand. When lighting the pilot, follow these instructions exactly.
- B. **BEFORE LIGHTING** smell all around the appliance area for gas. Be sure to smell next to the floor because some gas is heavier than air and will settle on the floor.

What To Do If You Smell Gas:

 - Do not try to light any appliance.
 - Do not touch any electrical switch; do not use any phone in your building.
 - Immediately call your gas supplier from a neighbour's phone. Follow the gas supplier's instructions.
- If you cannot reach your gas supplier, call the Fire Department.
- C. Use only your hand to push in or turn the gas control knob. Never use tools. If the knob will not push in or turn by hand, don't try to repair it, call a qualified service technician. Force or attempt to repair may result in a fire or explosion.
- D. Do not use this appliance if any part has been under water. Immediately call a qualified service technician to inspect the appliance and to replace any part of the control system, and any gas control which has been under water.

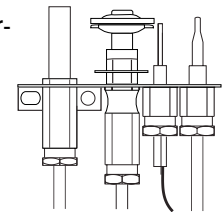
Lighting Instructions:

1. **STOP!** Read the safety information above on this label.
2. Flip down the lower trims.
3. Push in gas control knob and turn clockwise  to "OFF."
4. Wait five (5) minutes to clear out any gas. Smell for gas, including near the floor. If you then smell gas, **STOP!** Follow "B" in the safety information above on this label. If you don't smell gas, go to the next step.
5. Locate pilot burner (*See illustration at right.*) and follow steps below.
6. Turn knob on gas control counter clockwise  to "PILOT."
7. Push in gas control knob completely and hold. Light with Piezo Igniter button. Continue to hold the control knob in for about (1) minute after the pilot is lit. Release the knob and it will pop back up. Pilot should remain lit. If it goes out repeat steps 3 through 8.
 - If knob does not pop up when released. Stop and immediately call your service technician or gas supplier.
 - If the pilot will not stay lit after several tries, turn the gas control knob to "OFF" and call your service technician or gas supplier.
8. Push in gas control knob and turn counter-clockwise  to "ON."
9. Flip up the lower trim.
10. Turn on remote switch to ignite fire.




Gas Control Knob
(Shown in "Pilot" position.)

NOTE: Gas control knob cannot be turned from "PILOT" to "OFF" unless knob is pushed in slightly. Do not force.



To Turn Off Gas To Appliance:

1. Turn off remote switch.
2. Flip down the lower trim.
3. Push in gas control knob slightly and turn  clockwise to "Off". Do not force.
4. Flip up the lower trim.

Operation - Model L-Series DF-I



with Honeywell Electronic Ignition

For Your Safety - READ BEFORE LIGHTING:

WARNING: If you do not follow these instructions exactly, a fire or explosion may result causing property damage, personal injury or loss of life.

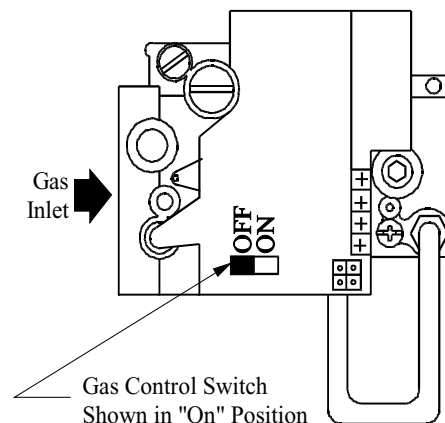
- A. This appliance is equipped with an ignition system that lights the pilot burner automatically. **Do not attempt to light the pilot by hand.**
- B. **BEFORE LIGHTING** smell all around the appliance area for gas. Be sure to smell next to the floor because some gas is heavier than air and will settle on the floor.

What To Do If You Smell Gas:

 - Do not try to light any appliance.
 - Do not touch any electrical switch; do not use any phone in your building.
 - Immediately call your gas supplier from a neighbour's phone. Follow the gas supplier's instructions.
- If you cannot reach your gas supplier, call the Fire Department.
- C. Use only your hand to push in or turn the gas control knob. Never use tools. If the knob will not push in or turn by hand, don't try to repair it, call a qualified service technician. Force or attempt to repair may result in a fire or explosion.
- D. Do not use this appliance if any part has been under water. Immediately call a qualified service technician to inspect the appliance and to replace any part of the control system, and any gas control which has been under water.

Lighting Instructions:

1. **STOP!** Read the safety information above on this label.
2. Flip down the lower trims.
3. Turn switch on the gas control to OFF".
4. Wait 5 minutes to clear out any gas. If you smell gas, **STOP!** Follow "B" in the safety information above on this label. If you don't smell gas, go to the next step.
5. Turn switch on the gas control to "ON". **NOTE:** This unit is equipped with an ignition system that lights the pilot burner automatically. **Do not attempt to light the pilot by hand.**
6. Turn on wall switch.
7. Flip up the lower trim.
8. If the fireplace does not operate, follow the instructions "To Turn Off Gas To Appliance" and call your service technician or gas supplier.



To Turn Off Gas To Appliance:

1. Turn off remote switch.
2. Flip down the lower trim.
3. Turn the switch on the gas control to "Off".
4. Flip up the trim.

Operation - Model L-Series DF-A

with American Flame Electronic Ignition

For Your Safety - READ BEFORE LIGHTING:

WARNING: If you do not follow these instructions exactly, a fire or explosion may result causing property damage, personal injury or loss of life.

- A.** This appliance is equipped with an ignition system that allows for both continuous pilot operation as well as an electronic ignition that lights the pilot burner automatically. **Do not attempt to light the pilot by hand.**
- B. BEFORE LIGHTING** smell all around the appliance area for gas. Be sure to smell next to the floor because some gas is heavier than air and will settle on the floor.

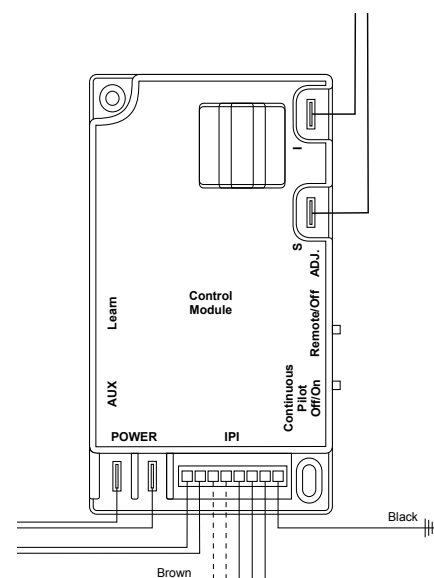
What To Do If You Smell Gas:

- Do not try to light any appliance.
- Do not touch any electrical switch; do not use any phone in your building.
- Immediately call your gas supplier from a neighbour's phone. Follow the gas supplier's instructions.
- If you cannot reach your gas supplier, call the Fire Department.

Lighting Instructions:

1. **STOP!** Read the safety information above on this label.
2. Flip down the lower trims.
3. If the switch on the control module is set to "Continuous Pilot Off" then the pilot will light when the appliance is turned on by the remote switch. When switched to "Continuous Pilot On" then the control module will attempt to light the pilot until it detects that the pilot has been successfully lit.
4. With the control module set to "Continuous Pilot Off" wait 5 minutes to clear out any gas. If you smell gas, **STOP!** Follow "B" in the safety information above on this label. If you don't smell gas, go to the next step.
5. Turn switch on the control module to "Continuous Pilot On" This will initiate the lighting of the pilot. **NOTE:** This unit is equipped with an ignition system that lights the pilot burner automatically. **Do not attempt to light the pilot by hand.**
6. Turn on wall switch.
7. Flip up the lower trim.

8. If the fireplace does not operate, follow the instructions "To Turn Off Gas To Appliance" and call your service technician or gas supplier.
9. If you wish to operate the Fireplace without the Continuous Pilot simply turn the switch on the control module to "Continuous Pilot Off" and follow instructions 6-8.



To Turn Off Gas To Appliance:

1. Turn off remote switch.
2. Flip down the lower trim.
3. Turn the switch on the Control Module to "Continuous Pilot Off".
4. Flip up the trim.

Operation

Operation

Lighting Instructions

See pages 16, 17 and 18.

Burner Adjustment

The L-Series DF is equipped with an adjustable burner, allowing you to raise or lower the flames. To adjust the flames, locate the black knob marked 'Hi-Lo', in the centre of the gas control valve (See Figure 32). The front burners are not adjustable.

- To raise the flame height, turn the black knob (located behind the lower trim) **counter-clockwise**.
- To lower the flame height, turn **clockwise**.

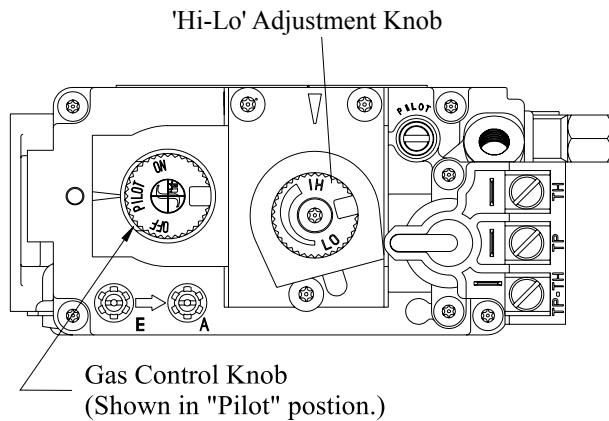


Figure 32. 'Hi-Lo' Adjustment on the L-Series DF's gas valve.

Note: L-Series DF-I models (electronic ignition) do not feature hi/lo adjustment.

CAUTIONS

- Fireplace gas control must be in the "OFF" position and pilot and main burners extinguished when cleaning appliance with a vacuum.
- Doors and logs can get very hot. Handle only when cool.

Maintenance

Maintenance

General

- **Have the fireplace and installation inspected yearly.** The inspection must include, but is not limited to, the following:
 - A visual check of the entire vent system and termination.
 - An inspection of the explosion relief flappers and the door gasketing to ensure a proper seal.
 - An inspection of the burner, venturi, and primary air openings.
 - An inspection of the gas valve, gas components, and pilot flame. For your convenience a 1/8" manifold pressure tap is supplied on the gas valve for a test gauge connection. See Figure 32.
 - Inspection of all optional equipment, thermostats, etc.
- For **Natural Gas** this appliance requires a minimum inlet pressure of 5.5" W.C. and a manifold pressure of 3.5" W.C.
- For **Propane Gas** this appliance requires a minimum inlet pressure of 11" W.C. and a manifold pressure of 10" W.C.
- Always keep the fireplace area clear and free of combustible materials, as well as gasoline and other flammable vapors and liquids.
- Do not use this appliance if *any part has been underwater*. Immediately call a qualified service technician to inspect the appliance and to replace any part of the control system and any gas control which has been under water.

Cleaning

When the fireplace is first activated, there may be some smoking and a visible film may be left on the glass. This is a normal condition, and is the result of burning of protective coatings on new metal.

- Glass must be cleaned periodically to remove any film (which is a normal by-product of combustion) which may be visible. Film can easily be removed by removing the door, as shown on page 12. Handle the door carefully, and clean it with non-abrasive glass cleaners. One of the most effective products is Kel Kem.
- Silicone seals on inner door during initial firing will "off gas", leaving a visual deposit of a white substance on combustion chamber walls. This can easily be removed using normal household products.
- Use a vacuum cleaner or whisk broom to keep the control compartment, burner, and firebox free from dust and lint.
- Linear Burners may be cleaned periodically with a vacuum to remove soot or other contaminants.

WARNING:

Do not attempt to clean glass when hot.
Do not clean glass with abrasive materials as any glass etching may cause premature glass failure.

Maintenance

Gas Control Valve

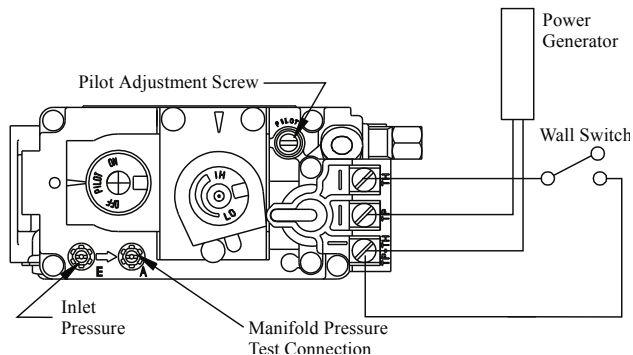


Figure 33. Sit Nova 820 gas valve.

Pilot Burner Adjustment

1. Locate Pilot Adjustment Screw. (See figure 33.)
2. Adjust pilot screw to provide properly sized flame as shown in figure 34).
3. After installing or servicing, leak test with a soap solution with main burner on. Coat pipe and tubing joints, gasket etc. with soap solution. Bubbles indicate leaks. Tighten any areas where the bubbles appear until the bubbling stops completely.

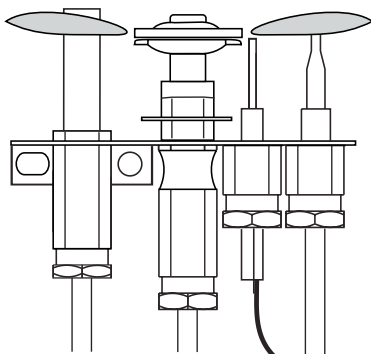


Figure 34. Pilot Burner.

Troubleshooting L52DF-ST

The following is a troubleshooting chart of possible problems:

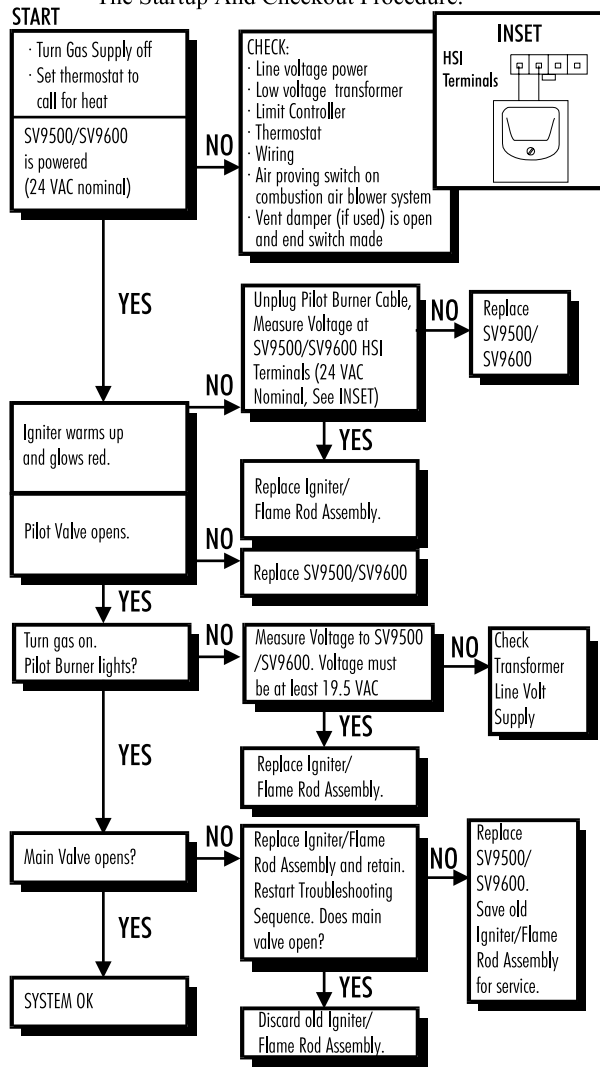
PROBLEM	CORRECTIVE ACTION
Noisy Pilot Flame	Locate pilot adjustment screw on gas control valve. Flame is decreased by turning adjustment screw clockwise.
Pilot won't ignite	Disconnect remote wires and try to light pilot. If pilot now works, remote connections are faulty. Check wiring diagram figure 33.
Main burner will not light	1. Check wiring (see figure 33). 2. Check wall switch for proper connection.

Troubleshooting

L-52-DF-1

HONEYWELL SV 9500 /SV9600 Troubleshooting Sequence

NOTE: Before Troubleshooting, Familiarize Yourself With The Startup And Checkout Procedure.



If your fireplace still does not operate correctly, consult your dealer or the manufacturer.

All service and repairs should be performed by a qualified agency.

All spare parts, optional trim finishes are available from your local dealer or the manufacturer.

Warranty

The Warranty

The Companies warrants the Montigo Gas Appliance to be free from defects in materials and workmanship at the time of manufacture. On the Montigo, there is a ten-year warranty on the firebox and its components, a five-year warranty on the main burner and pilot burner, and a one-year warranty on the gas control valve and fibre logs. Glass, plated/painted finishes, and refractory lining are exempt.

Remedy And Exclusions

The coverage of this Warranty is limited to all components of the Gas Appliance manufactured by The Companies.

This Warranty only covers Montigo Gas Appliances installed in the United States or Canada.

If the components of the Gas Appliance covered by this Warranty are found to be defective within the time frame stated (see The Companies right of investigation outlined below). The Companies will, at its option, replace or repair defective components of the Gas Appliance manufactured by The Companies at no charge, and will also pay for reasonable labour costs incurred in replacing or repairing components. If repair or replacement is not commercially practical, The Companies will, at its option, refund the purchase price of the Montigo Gas Appliance.

This Warranty covers only parts and labour as provided above. In no case shall The Companies be responsible for materials, components, or construction which are not manufactured or supplied by The Companies, or for the labour necessary to install, repair or remove such materials, components or construction. All replacement or repair components will be shipped F.O.B. the nearest The Companies factory.

Qualifications To The Warranty

The Gas Appliance Warranty outlined above is further subject to the following qualifications:

- (1) The Gas Appliance must be installed in accordance with The Companies installation instructions and local building codes. The Warranty on this Montigo Gas Appliance covers only the component parts manufactured by The Companies. The use of components manufactured by others with this Montigo Gas Appliance could create serious safety hazards, may result in the denial of certification by recognized national safety agencies, and could be in violation of local building codes. This warranty does not cover any damages occurring from the use of any components not manufactured or supplied by The Companies
- (2) The Montigo Gas Appliance must be subjected to normal use. The Gas Appliances are designed to burn gas only. Burning conventional fireplace fuels such as wood, coal or any other solid fuel will cause damage to the Gas Appliance, will produce excessive temperatures and will result in a fire hazard.

Limitations On Liability

It is expressly agreed and understood that The Companies sole obligation, and purchaser's exclusive remedy under this Warranty, under any other warranty, expressed or implied, or in contract, tort or otherwise, shall be limited to replacement, repair, or refund, as specified above.

In no event shall The Companies be responsible for any incidental or consequential damages caused by defects in its products, whether such damage occurs or is discovered before or after replacement or repair, and whether or not such damage is caused by The Companies negligence. Some states do not allow the exclusion or limitation of incidental or consequential damages, so the above limitation or exclusion may not apply to you. The duration of any implied warranty with respect to this Montigo Gas Appliance is limited to the duration of the foregoing warranty. Some states do not allow limitation on how long an implied warranty lasts, so the above may not apply to you.

Investigation Of Claims Against Warranty

The Companies reserves the right to investigate any and all claims against this Warranty and to decide upon method of settlement.

The Companies Are Not Responsible For Work Done Without Written Consent

The Companies shall in no event be responsible for any warranty work done without first obtaining The Companies written consent.

Dealers Have No Authority To Alter This Warranty

The Companies employees and dealers have no authority to make any warranties nor to authorize any remedies in addition to or inconsistent with those stated above.

How To Register A Claim Against Warranty

In order for any claim under this Warranty to be valid, The Companies must be notified of the claimed defect in writing or by telephone, as soon as reasonably possible after the defect is discovered. Claims against this Warranty in writing should include the date of installation, and a description of the defect.

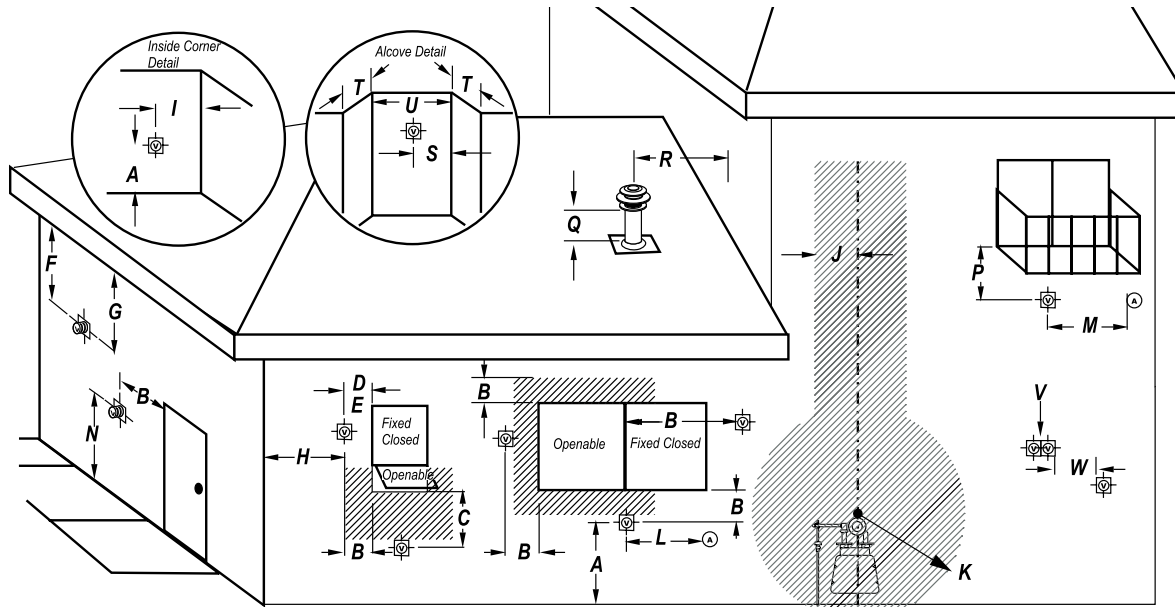
Other Rights

This Warranty gives you specific legal rights, and you may also have other rights which vary from state to state.

NOTE: *The Companies as stated above refer to - Canadian Heating Products Inc. and/or Montigo Del Ray Corp.*

Canadian Heating Products Inc. and/or Montigo DelRay Corp. reserves the right to make changes at any time, without notice, in design, materials, specifications, prices and also to discontinue colors, styles and products.

Appendix A - Termination Locations

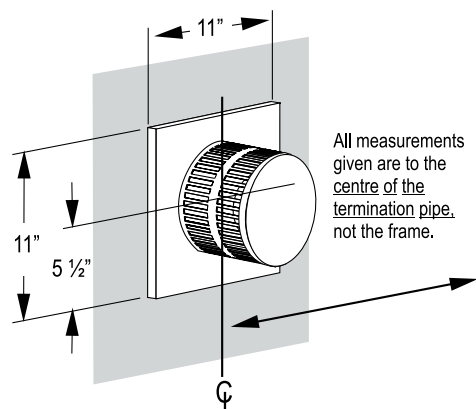


⊗ = vent termination ⊙ = air supply inlet ▨ = area where termination is not permitted

- A** = clearance to the termination frame above grade, veranda, porch, deck, or balcony [16 inches (41 cm) minimum]
- B** = clearance to door, or sides and top of window, that may be opened [16 inches (41 cm) minimum for appliances ≤100 000 BTU/H (30kW)]
- C** = clearance to bottom of window that may be opened horizontally [36 inches (92 cm) minimum for appliances ≤100 000 BTU/H (30kW)]
- D** = no clearance to permanently closed window when installed with approved glass penetration termination
- E** = clearance to permanently closed window [16 inches 41 cm recommended to prevent condensation on window]
- F** = vertical clearance to ventilated soffit located above the termination within a horizontal distance of 2 feet (61 cm) from the centreline of the termination [22 inches (56 cm) minimum]
- G** = clearance to unventilated soffit [16 inches (41 cm) minimum to non-combustibles] [22 inches (56 cm) minimum to combustibles]
- H** = clearance to outside corner [9 inches (23 cm) minimum]
- I** = clearance to inside corner [12 inches (31 cm) minimum]
- J** = * not to be installed above a meter/regulator assembly within 40" (103 cm) horizontally from the centreline of the regulator
- K** = clearance to service regulator vent outlet [3 feet minimum in the United States] [6 feet (1.8 m) minimum in Canada]
- L** = clearance to non-mechanical air supply inlet to building or the combustion air inlet to any other appliance [16 inches (41 cm) minimum for appliances ≤100 000 BTU/H (30kW)]
- M** = clearance to mechanical air supply inlet [6 feet (1.8 m) minimum]

- N** = † clearance above paved sidewalk or a paved driveway located on public property [7 feet (2.1 m) minimum]
 - P** = clearance under veranda, porch, deck, or balcony [16 inches (41 cm) minimum† to non-combustibles] [22 inches (56 cm) minimum† to combustibles]
 - Q** = clearance above a roof [24 inches (61 cm) minimum]
 - R** = clearance to adjacent walls and neighboring buildings [18 inches (46 cm) minimum]
 - S** = clearance from corner in recessed location [12 inches (31 cm) minimum]
 - T** = maximum depth in recessed location [48 inches (122 cm) minimum]
 - U** = minimum width for back wall of recessed location [24 inches (61 cm) minimum]
 - V** = no horizontal clearance between the frames of two terminations that are level.
 - W** = horizontal clearance between the frames of two terminations that are not level. [36 inches (92 cm) minimum]
- † a vent shall not terminate directly above a sidewalk or paved driveway which is located between two single family dwellings and serves both dwellings

† only permitted if veranda, porch, deck, or balcony has an open side that is equal to or greater than the depth of the enclosed area
 * as specified in CGA B149 Installation Codes. Note: local Codes or Regulations may require different clearance.



Maintenance

Notes

Spare Parts - L52DF-ST

	L52DF-ST
NG Gas Valve	RGC1006
LP Gas Valve	RGC1005
NG Pilot	RPA020
LP Pilot	RPA021
Burner NG	RBLS201
Burner LPG	RBLS202
Oriface NG	2@51dms/center, 2@52dms/side
Oriface LPG	4@62dms
Door	RDTL52
Fiber Base	RLGS54

Notes



XG0811 - 041808

Canadian Heating Products Inc.
Langley, BC V4W 4A1

Montigo Del Ray Corp.
Ferndale, WA 98248