



fire feature



Warning:

Improper installation, adjustment, alteration, service or maintenance can cause injury or property damage. Refer to this manual. For assistance or additional information consult a qualified installer, service agency or the gas supplier.

For Your Safety:

Do not store or use gasoline or other flammable vapors and liquids in the vicinity of this or any other appliance.

What To Do If You Smell Gas:

- Do not try to light any appliance.
- Do not touch any electrical switch; do not use any phone in your building.
- Immediately call your gas supplier from a neighbor's phone. Follow the gas supplier's instructions.
- If you cannot reach your gas supplier, call the fire department.

Installation Operation & Maintenance

L-Series DF Gas Fireplace

L52DF

Safety Notice:

Glass doors on gas fireplaces are extremely hot while the fireplace is on and remain hot even after the fireplace has been turned off. Safety screens are available and can reduce the risks of severe burns. Please keep children away from the fireplace at all times.

Check local codes and read all instructions prior to installation.

- *Installer: Leave this manual with the appliance.*
- *Consumer: Leave this manual for future reference.*



Table Of Contents

Introduction 2

Installation

 Installing and Framing the Fireplace 3

 Installing the Gasline 4

 Vent Installation 4

 Installation Requirements 4

 Installing the Remote Switch 5

 Vent Terminations 5

 Converting to Top Vent / Rear Vent 6

 Top Vent Venting Runs 7

 Rear Vent Venting Runs 11

 Venting for Rear Vent models 11

 Finishing around the fireplace

 Fireplace Facing 12

 Mantels and Surrounds 12

 Surround Heat Shield 12

 Wiring 13

 Wiring for the Optional Fan Kit 13

 Removing and Installing the Door 13

Operation 14 - 17

Maintenance 18

 Troubleshooting 18

Warranty 19

Appendix

 A. Termination Locations 20

 B. Spare Parts List 21

Introduction

Thank You for choosing a Montigo Gas Fireplace.

About this Fireplace:

The **L52-DF** is a fireplace with a linear-style burner. This fireplace is only available as a Top Vent only, and is only currently available in the L52-DF model.

The **L52DF** is rated for Natural Gas or Propane at 40,000 BTU/H (11.73 Kilowatts) Input.

- **L52DF;** Top Vent, Millivolt Pilot.
- **L52DF-I;** Top Vent, Intermittent Pilot (HSI).
- **L52DF-A;** Top Vent, American Flame

How to use this manual:

This manual covers installation, operation and maintenance. Lighting, operation and care of this fireplace can be easily performed by the homeowner. However, all installation and service work should be performed by a qualified or licensed installer, plumber, or gasfitter who is qualified or licensed by the state, province, region, or governing body in which the appliance is being installed.

This manual covers all models and unless otherwise specified, the designation **L52 DF** refers to all applicable models.

Warranty and Installation Information:

The Montigo warranty will be voided by, and Montigo disclaims any responsibility for, the following actions:

- Modification of the fireplace and/or components including Direct-Vent assembly or glass doors.
- Use of any component part not manufactured or approved by Montigo in combination with this Montigo fireplace system.
- Installation other than as instructed in this manual.

Consult your local Gas Inspection Branch on installation requirements for factory-built gas fireplaces. Installation & repairs should be done by a qualified contractor.

Installations in Canada must conform to the current **CAN/CGA B-149.1** and **.2** Gas Installation Code and local regulations. If the optional air-circulating fan kit is installed, it must be electrically grounded in accordance with **CSA C22.1** Canadian Electrical Code Part 1 and/or Local Codes.

Installations in the USA must conform to local codes, or in the absence of local codes to the National Fuel Gas Code, **ANSI Z223.1-1988**. If the optional air-circulating fan is installed, it must be grounded in accordance with local codes or, in the absence of local codes, with the National Electrical Code, **ANSI/NFPA 70-1987**. Within the State of Massachusetts this fireplace must comply with NFPA-54 Chapter 10.

CAUTIONS

Due to its high operating temperatures, the appliance should be located out of traffic & away from furniture and draperies.

- Children and adults should be alerted to the hazards of the high surface temperature, which could cause burns or clothing ignition.
- Young children should be carefully supervised when they are in the same room as the appliance.
- Clothing or other flammable materials should not be placed on or near the appliance.

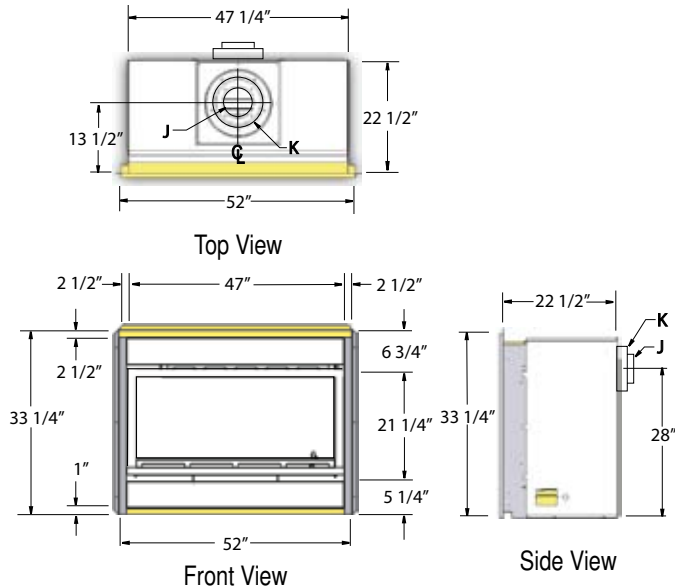
Installation



Installing The Fireplace Shell

The fireplace may be installed in any location that maintains proper clearances to air conditioning ducts, electrical wiring and plumbing. Safety, as well as efficiency of operation, must be considered when selecting the fireplace location. Try to select a location that does not interfere with room traffic, has adequate ventilation, and offers an accessible pathway for Direct Vent installation. Refer to page 4 - *Vent Installation* for more information.

The fireplace dimensions are shown below:



* When sheetrock is not used behind the fireplace, framing depth may be reduced by 5/8"

Figure 2. Framing dimensions.

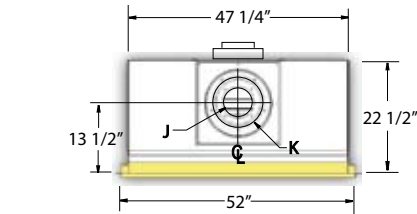


Figure 3. Minimum Corner framing dimensions, using a 45° elbow.

When installing a shelf over the top of the fireplace, the following guidelines must be adhered to: For Top Vent applications, the minimum clearance is 24". (*Minimum 2" clearance must still be maintained around the vent pipes.*)

Clearances

These clearances apply to all dimensions except the framed opening, where the clearances to combustibles is 0". The L52-DF clearances to combustible materials are:

Top - Rear Vent *	N/A
Top - Top Vent	24
Back	3"
Sides	2"
Floor	0"
Mantle**	4"

* Clearance from the top of the fireplace to a combustible ceiling within the fireplace enclosure

** Refer to the 'Finishing around the fireplace' section of this manual.

Unprotected combustible walls which are perpendicular to the fireplace opening, must not project beyond the shaded area shown in Figure 24.

For protection against freezing temperatures, it is recommended that outer walls of the chase be insulated with a vapor barrier. This will reduce the possibility of a cold-air convection current on the fireplace.

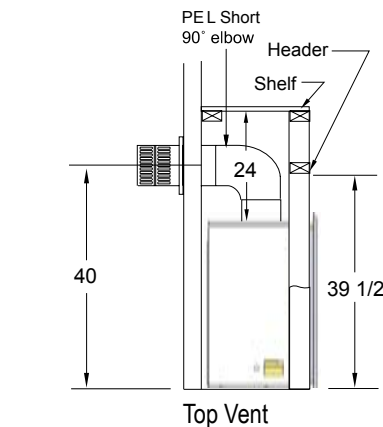


Figure 4. Framing for shelves over the fireplace.

WARNING:

When this appliance is installed directly on carpeting, tile or any combustible material other than wood flooring, it must be installed on a metal or wood panel extending the full width and depth of the appliance.



Installation

Installing The Gas Line

The gas line must be installed before finishing the L52-DF Fireplace. **Natural Gas** requires a minimum inlet gas supply pressure of 5.5" W.C. & a manifold pressure of 3.5" W.C. **Propane Gas** requires a minimum inlet gas supply pressure of 11" W.C. & a manifold pressure of 10" W.C. Provision must also be made for a 1/8" N.P.T. plugged tapping and be accessible for test gauge connection immediately upstream of the gas supply controls to the appliance. The fireplace gas connection and the main operating gas valve is located behind the removable trim at the bottom of the unit and need only be attached to the gas line with an approved fitting, as required by the **applicable installation codes**.

To access the fireplace gas connection the main burner must be removed as shown below in figure 5a.

- Only use gas shut-off valves approved for use by the state, province, region, or governing body, in which the appliance is being installed, or as required by the applicable installation codes.
- Flexible gas connectors must not exceed 3 feet in length, unless it is allowable within applicable installation codes.



Figure 5a. Gas line access.

The appliance and its individual shut-off valve must be disconnected from the gas supply piping system during any pressure testing of that system at test pressures in excess of 1/2 psig (3.5 kPa).

The appliance must be isolated from the gas supply piping system by closing its individual manual shut-off valve during any pressure testing of the gas supply piping system at test pressures equal to or less than 1/2 psig (3.5 kPa).

Note: After gas line is connected, **each appliance connection, valve and valve train** must be checked while under normal operating pressure with either a liquid solution, or leak detection device, to locate any source of leak. Tighten any areas where bubbling appears or leak is detected until bubbling stops completely or leak is no longer detected. **DO NOT use a flame of any kind to test for leaks.**

Vent Installation

This section covers the installation of direct venting and terminations.

Installation Requirements

- L52-DF fireplaces IS certified for use with Montigo Standard Series (5" / 8") venting components.
- Minimum **clearance to combustible construction around the vent pipe is 1"** on all sides, except on horizontal venting where the **top** of the pipe must have a clearance of at least 2".

- Use only *certified Montigo vent components*. (Use of other parts will void the Montigo warranty, and may impede the operation of the fireplace.)
- All joints must be secured with a minimum of two screws per joint
- Vent terminations must not be recessed in walls or siding
- Horizontal runs must be supported by a minimum of two supports per horizontal run. A minimum of one screw on each side of support is also required
- Flex vent sections may be stretched up to 50% of their total length (eg. a 24" section may be stretched to 36")
- Maximum horizontal run with no vertical rise is 6 feet.
- Flex vent sections over 6 feet must fall within the limits set by the venting graph and must have a minimum vertical rise of 3 inches per foot of flex.
- Solid vent sections may be cut less than half way from the female end
- Venting components can be used in any combination of solid/rigid pipe or flex pipe and in any orientation (Male connectors can face in any direction)

Vent Terminations

Selecting A Termination Location

Choosing your vent termination location will help to determine whether you need to use a top vent or rear vent fireplace. Figure 6a, below, shows typical fireplace locations and the venting options they provide.

For a more detailed diagram of allowed termination locations, see *Appendix A*.

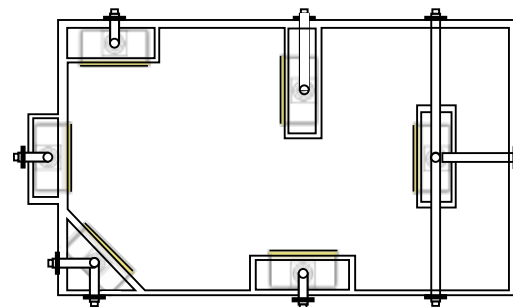


Figure 6a. Fireplace locations and vent terminations.

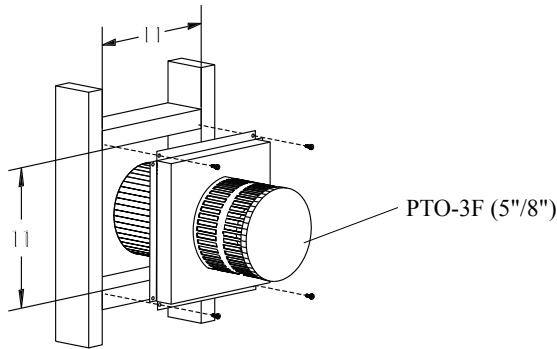
Cautions:

- Vent terminations can be very hot. If the termination is less than 7 feet above a public walkway, it should be fitted with a certified Montigo Heat Guard. (Part no. PTKOG).
- Do not obstruct, or attempt to conceal, the vent termination. These actions will affect the operation of the fireplace, and may be hazardous.
- In heavy snow areas, take extra care to prevent snow buildup from obstructing the vent termination.
- Use Montigo VSS Vinyl Heat Shield when using on applications with vinyl siding to guard against possible damage.

Installation

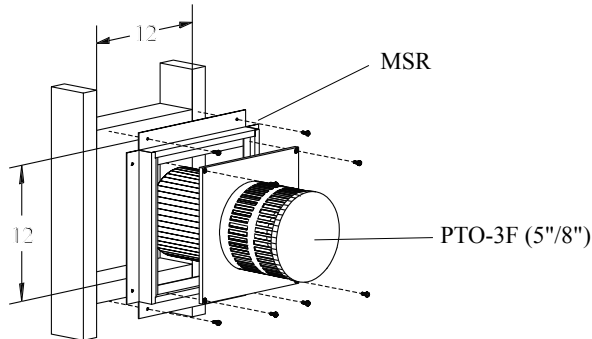


Installing Terminations with Built-In Frames



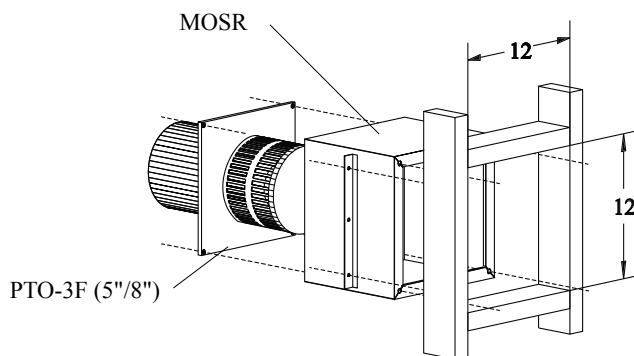
1. Frame the termination opening to 11" x 11".
2. Fasten the termination to the studs using a minimum of 4 screws.

Installing Terminations with MSR Frames



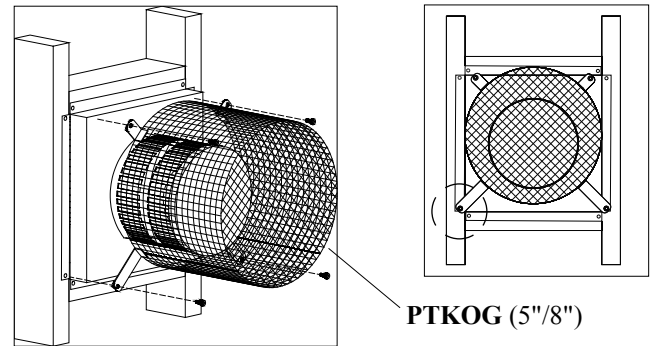
1. Frame the termination opening to 12" x 12".
2. Fasten the termination to the studs using a minimum of 4 screws.

Installing Terminations with MOSR Frames



1. Frame the termination opening to 12" x 12".
2. Fasten the MOSR frame to the interior side of the studs using a minimum of 4 screws.
3. Insert the termination into the MOSR frame as shown here, and attach by screwing through the four pilot holes in the termination.

Installing Heat Guards over Terminations



1. Ensure that the two **long** mounting brackets are facing the bottom of the termination. (See inset). This will provide more heat protection at the top of the termination, where temperatures are highest.
2. Attach to the faceplate of the termination using four sheet metal screws.

Installing The Standoffs

To avoid elevated mantel temperatures, all L-Series DF gas fireplaces are required to have the supplied standoffs installed. The fireplace is supplied with two standoffs. Bend and install these standoffs on top of the fireplace ensuring that the height of the standoff maintains a 4-1/2" clearance.

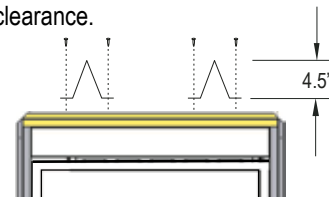


Figure 6b. Installing the standoffs.

Installing the Nailing Flange Extension

Once the fireplace is placed into the framed opening, the supplied nailing extension must be placed along the top edge of the fireplace, and nailed in place to the framing, as illustrated below.

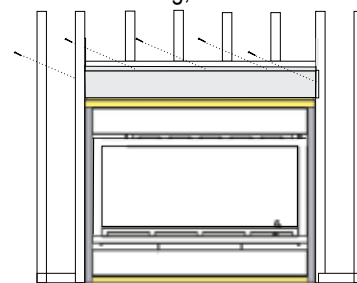


Figure 6c. Installing the Nailing Flange Extension.

Installing The Remote Switch

The L52-DF's gas valve, located behind the lower trim, may be connected to a wall switch. The valve generates its own power on a millivolt circuit. Use only low voltage wire, and DO NOT connect any external power to it.

Note: The switch location must not exceed 30' from the fireplace.



Installation

Converting to Top Vent/ Rear Vent

L-Series DF Top Vent

Use the following instructions to convert an **L52-DF Top Vent**. For Top Vent use:

1. Install the 5" inner flue cap on the rear flue outlet and secure the cap in place with five screws, as shown in figure 7a.
2. Install the 8" outer flue cap on the rear flue outlet, and secure it with five screws, as shown in figure 7a.

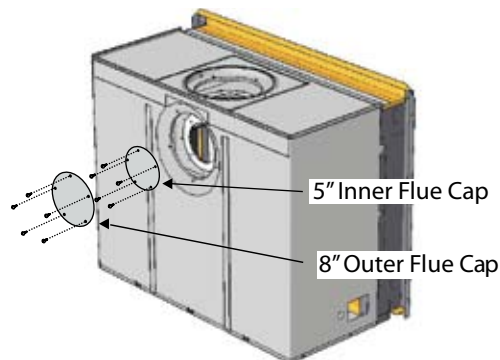


Figure 7a. Flue cap installation for Top Vented fireplace, (L52-DF Only).

3. Install the flue gasket material and flue cover plate on the rear vent outlet. Fasten the plate with four screws, as illustrated below.
4. Install the 5" inner flue collar and the 8" outer flue collar in place on the top vent outlet using 5 screws, as illustrated below.

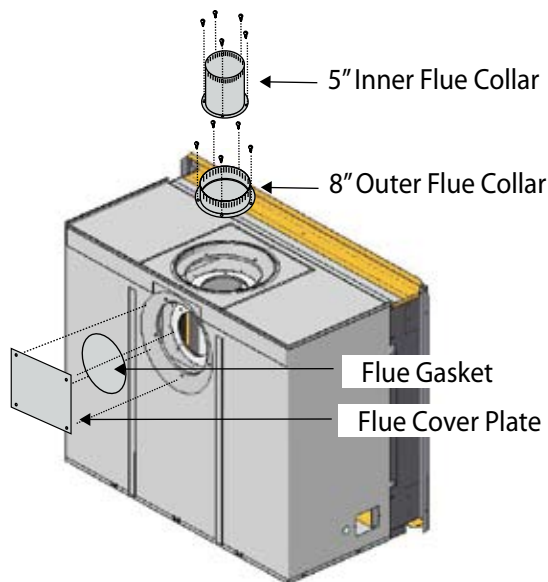


Figure 7b. Flue collar installation for Top Vented fireplace, (L52-DF Only).

L-Series DF Rear Vent

Use the following instructions to convert an **L52-DF Only** for Rear Vent use:

1. Install the 5" inner flue cap on the top flue outlet and secure the cap in place with five screws, as shown in figure 8a.
2. Install the 8" outer flue cap on the top flue outlet, and secure it with five screws, as shown in figure 8a.

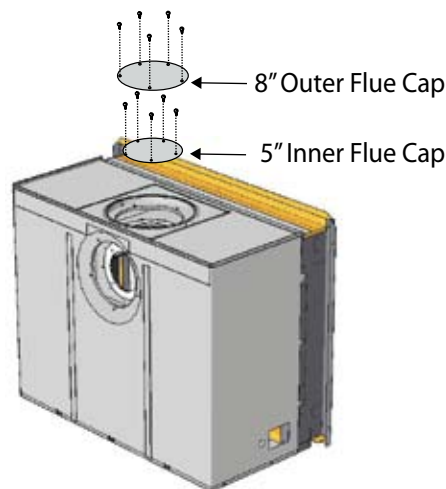


Figure 8a. Flue cap installation for Rear Vented fireplace, (L52-DF Only).

3. Install the flue gasket material and flue cover plate on the top vent outlet. Fasten the plate with four screws, as illustrated in figure 8b.
4. Install the 5" inner flue collar and the 8" outer flue collar in place on the rear vent outlet using 5 screws, as illustrated below.

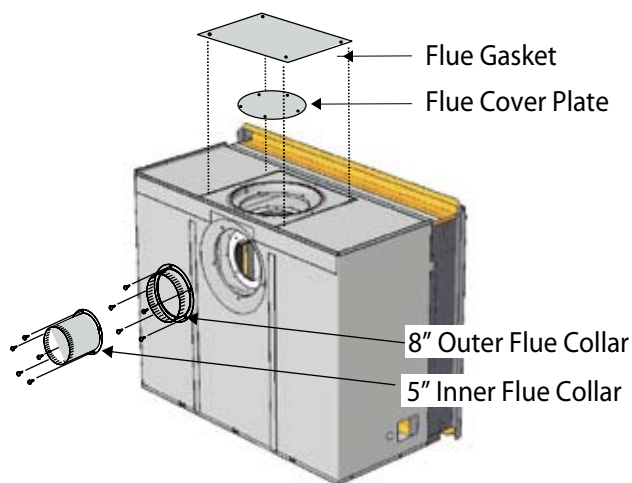


Figure 8b. Flue collar installation for Rear Vented fireplace, (L52-DF Only).

Installation



Top Vent Venting Runs

For the L52-DF **Top Vent**, there are two types of installations: A) Through-The-Wall Installations and B) Vertical (Through-The-Roof) Installations.

A) Through-The-Wall Installations

Before you install any venting, you must determine whether the venting run will be acceptable. Unacceptable venting can affect the fireplace's combustion.

The Venting Graph

Measure the vertical height from the fireplace hearth to the centre of the termination and the horizontal run from the fireplace flue collar to the wall flange of the termination. Plot on the Venting Graph (Fig. 9a) with an 'X'.

If the 'X' falls on or above the top boundary of the shaded area, the installation is acceptable.

Example A: (Acceptable Installation)

If the vertical dimension from the hearth is 84" and the horizontal run to the wall flange of the vent termination is 36", this would be an acceptable installation.

Example B: (Acceptable Installation)

If the vertical dimension from the hearth is 108" and the horizontal run to the wall flange of the vent termination is 120", this would be an acceptable installation.

Example C: (Unacceptable Installation)

If the vertical dimension from the floor of the fireplace is 48" and the horizontal run to the wall flange of the vent termination is 108", **this would NOT be an acceptable installation.**

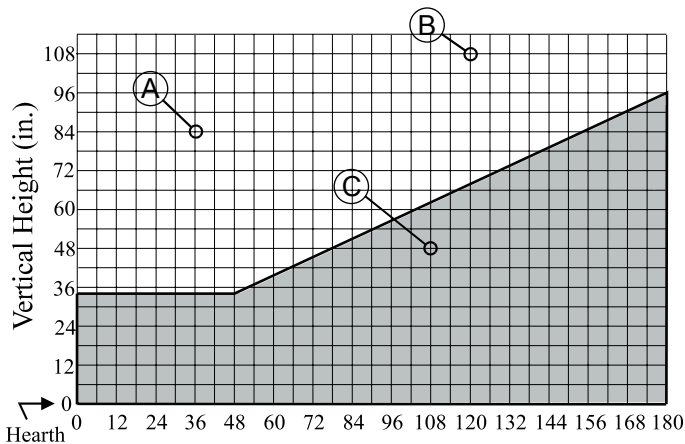


Figure 9c. L52DF Top Vent Venting Graph

NOTES: All dimension lengths for vertical or horizontal runs are measured from centre of the vent pipe.
Venting runs *must* fall within the limits set by the venting graph (see Figure 9a).

Available Top Vent Components

The following venting components are available for the L-Series DF Top Vent:

	5" / 8" Venting
A - Termination	PTO-3 (3" Length) PTO-3F (3" Length)
B - Stucco Kits	MSR (Stucco Frame) MOSR (Stucco Can) BSR (Brick Can)
C - Flex Sections	PFL-1 (12" Section) PFL-2 (24" Section) PFL-3 (36" Section) PFL-4 (48" Section)
D - Rigid Sections	PEXT-1 (12" m/f Section) PEXT-2 (24" m/f Section) PEXT-3 (36" m/f Section) PEXT-4 (48" m/f Section)
E - Elbows	PEL-90MM (m/m 90° Elbow) PEL-90FF (f/f 90° Elbow) PEL-90FM (f/m 90° Elbow)

NOTES: All dimension lengths for vertical or horizontal runs are measured from centre of the vent pipe.

Venting runs *must* fall within the limits set by the venting graph (see Figure 9A).

Example 1:

For our shortest venting configuration use components A and E (see Figure 9a).

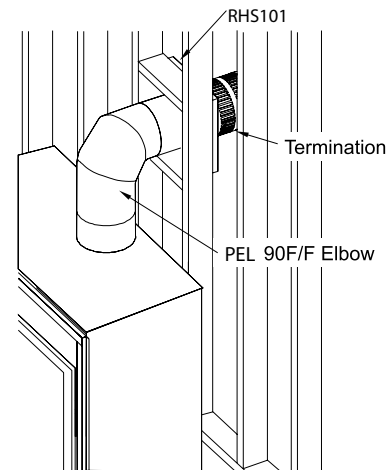


Figure 10. Typical Top Vent installation. If the 90° elbow is installed directly on the fireplace, for height to the center of the termination see chart on page 3.

Important:

An inspection of the explosion relief flappers and door must be made prior to lighting the fireplace. This will ensure the door gas-gating material will provide an adequate seal during operation.



Installation

Horizontal Venting

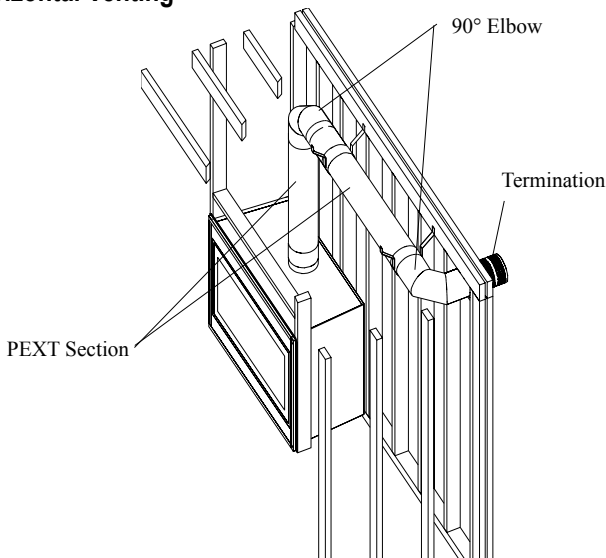


Figure 11. Typical Top Vent installation. The solid sections can be used in various combinations to obtain the desired vent run. The vent run must fall within the limits set by the venting graph.

Example 2:

Rigid sections and an elbow used in conjunction with 3 ft. flex section (PFL-3) will, when extended in a five foot chase, allow for a maximum horizontal run of twelve and one-half feet from the centre of the fireplace to outside wall and a minimum of 7'6" when retracted in opposite direction (see Figure 12 and 13).

"C" flex sections and "D" rigid sections may be used in conjunction with one another to obtain different possible horizontal length installations. **NOTE:** Flex section with no vertical rise must not exceed maximum horizontal length of 3 feet (see Figure 14). Flex runs over 3 feet must fall within the limits set by the venting graph, and must have a minimum vertical rise of 3" per foot of flex.

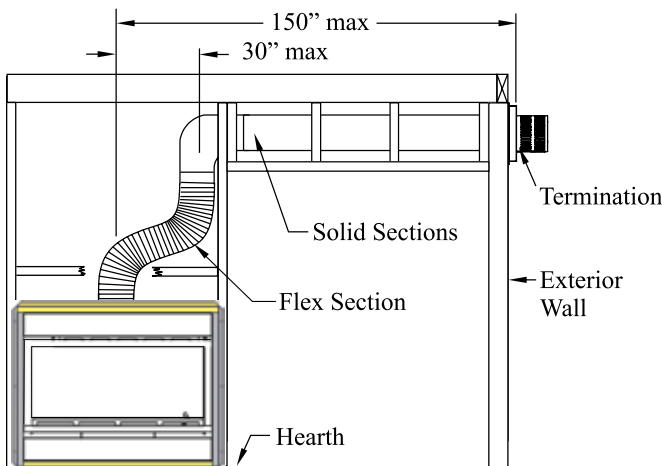


Figure 12. Extended Installation using a combination of solid and flex venting. Use the vent graph to determine your allowable run, then select appropriate components.

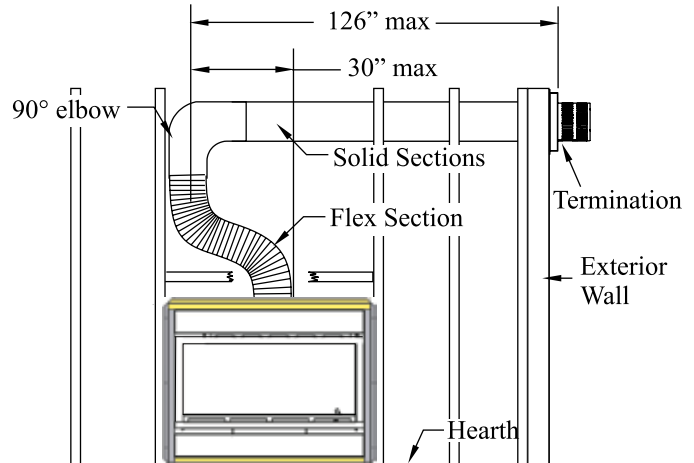


Figure 13. Retracted Installation using a combination of solid and flex venting. Use the vent graph to determine your allowable run, then select appropriate components.

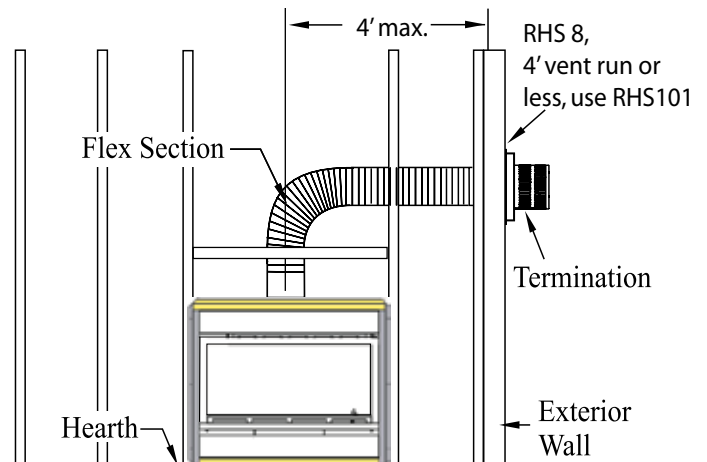


Figure 14. Horizontal flex installation with MIN vertical rise.

B. Vertical (Through-The-Roof) Installations

5/8" with option for 4/7" (on applicable models)

- Vertical rise >12' can be reduced (on applicable models).
- Vertical Terminations must be installed:
 - minimum 2' (two feet) above the highest point where vent passes through the roof.
 - minimum 6' (six feet) from a mechanical air inlet
 - minimum 18" (1 1/2 feet) from a parapet wall.
- Maximum vent height is:
 - 35 feet above fireplace.
 Note: Flame characteristics will change if the maximum vent height is used.
- Minimum clearances 2" from vent to all combustible materials must be maintained.
- A maximum of two offsets (each offset has two 90° bends) may be made and shall not exceed total length of 25% of the vertical vent

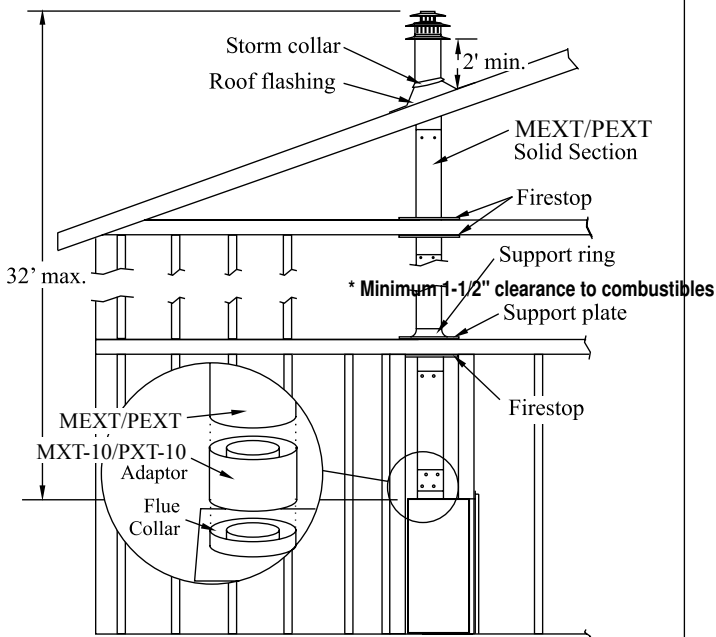
Installation



height, when measured center to center of piping.

Example: Typical vent installation.
 20' vertical vent
 2 - 2' offsets required
 25% of 20' = 5' max. offset allowed
 This venting configuration meets requirements.

	4" / 7" Venting	5" / 8" Venting
A - Termination	MVTK-1	PVTK-1
B - Flex Sections	MFL-1 (12" Section) MFL-2 (24" Section) MFL-3 (36" Section) MFL-4 (48" Section)	PFL-1 (12" Section) PFL-2 (24" Section) PFL-3 (36" Section) PFL-4 (48" Section)
C - Rigid Sections	MEXT-1 (12" m/f Section) MEXT-2 (24" m/f Section) MEXT-3 (36" m/f Section) MEXT-4 (48" m/f Section)	PEXT-1 (12" m/f Section) PEXT-2 (24" m/f Section) PEXT-3 (36" m/f Section) PEXT-4 (48" m/f Section)
D - Support Ring & Plate	MSPXT-8	PSPXT-8
E - Firestop	FS-8	PS-8
F - Roof Flashing	MRF-7 (1/12 - 7/12 pt.) MRF-12 (7/12 - 12/12 pt.)	PRF-7 (1/12 - 7/12 pt.) PRF-7 (7/12 - 12/12 pt.)
G - Adaptor / Vent Reducer		PVA5487 (5/8" to 4/7")



* For venting MIN 1" clearance to all vertical combustibles,
 MIN 2" to all horizontal combustibles.

Figure 15. Straight, vertical venting showing required PXT-10 adaptor (supplied with the PVTK-1 termination).

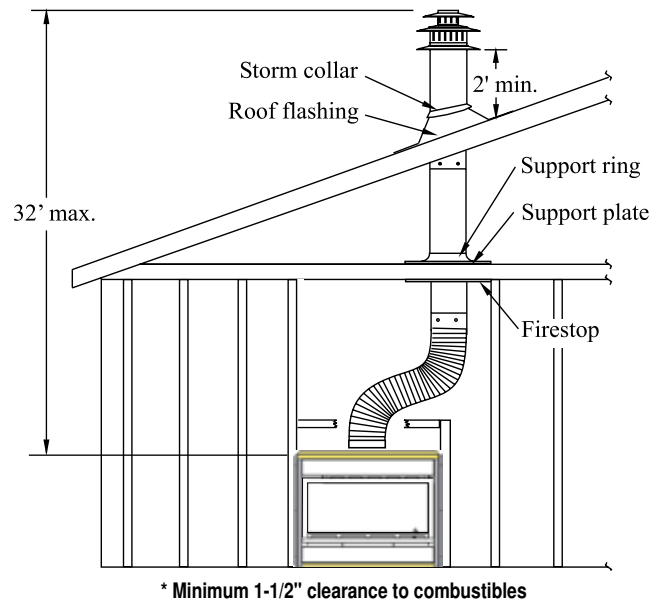


Figure 16. Vertical venting with 1 offset (1 offset= two 90° bends).

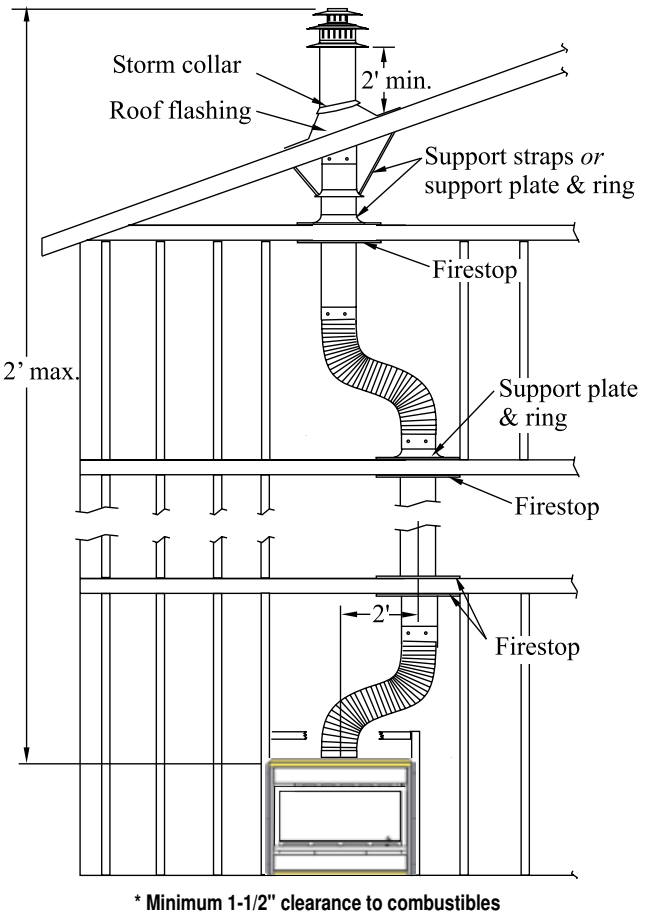


Figure 17. Vertical venting with 2 offsets (1 offset= two 90° bends).



Installation

Reduced Vertical Installation

It is possible to reduce vertical vent runs from 5⁷/₈" venting to 4⁷/₇" venting. Reduced vertical venting may only be used when the installation exceeds 12 feet and terminates through the roof, and if the vertical vent reducer is used with the following venting configuration.

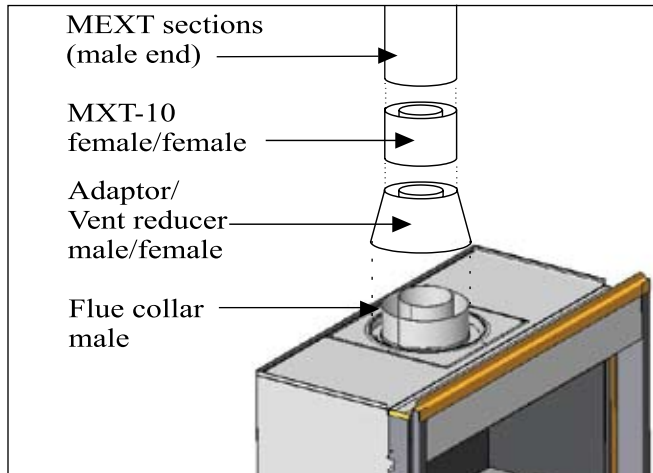


Figure 18. Reducing Vertical Vent from 5⁷/₈" to 4⁷/₇".

2. 45° Corner Installation.

Attach an PEL-90 (90° elbow) directly onto the flue collar, and attach it to the PEL-45 (45° elbow). Cut the PXT-18 to suit and insert it into the PEL-45. Slide the fireplace into position, and then connect it to the exterior termination.

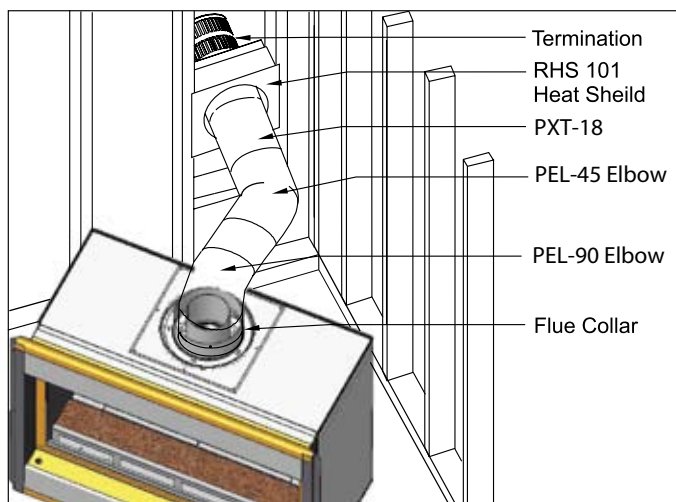


Figure 20. Corner installation.

3. Corner Installation — 45° or less.

Use an PTO-3 termination and an PFL-1 or PFL-2 (12" or 24" compressed length) and a frame, if appropriate. Flex may be turned to obtain desired degree of angle required but must not exceed 45°.

Important: Corner Installation is available only for Top Vent Units.

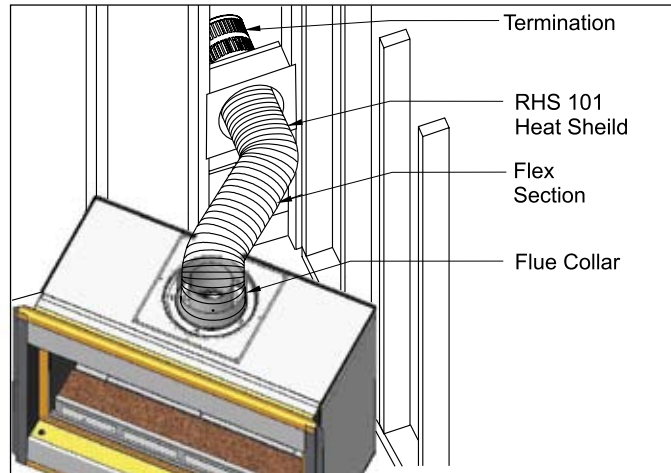


Figure 21. Flex installation.

B. Multi-Elbow Installations

For more difficult installation situations, the L52-DF Rear Vent must be installed with *only one or two* 90° elbows. If using either of these installation options, you must adhere to MIN, two of the following guidelines:

- One 90° elbow must be placed directly on the flue collar; then travel vertical, vent through the roof to termination.
- Or, you must use two 90° elbows; have a minimum vertical lift of 50" (measured from the hearth) As shown in Figure 23.
- **IMPORTANT:** For both Rear-Elbow installations your vent run must fall within the limits set by the Graph, Figure 22c

Before you install any venting, you must determine whether the venting run will be acceptable. Unacceptable venting can affect the fireplace's combustion.

The Venting Graph

Measure the vertical height from the fireplace hearth to the centre of the termination and the horizontal run from the fireplace flue collar to the wall flange of the termination. Plot on the Venting Graph (Fig. 22c) with an 'X'.

Example A: (Acceptable Installation)

If the vertical dimension from the hearth is 84" and the horizontal run to the wall flange of the vent termination is 36", this would be an acceptable installation.

Example B: (Acceptable Installation)

If the vertical dimension from the hearth is 108" and the horizontal run to the wall flange of the vent termination is 120", this would be an acceptable installation.

Example C: (Unacceptable Installation)

If the vertical dimension from the floor of the fireplace is 72" and the horizontal run to the wall flange of the vent termination is 84", this would **NOT** be an acceptable installation.

Installation

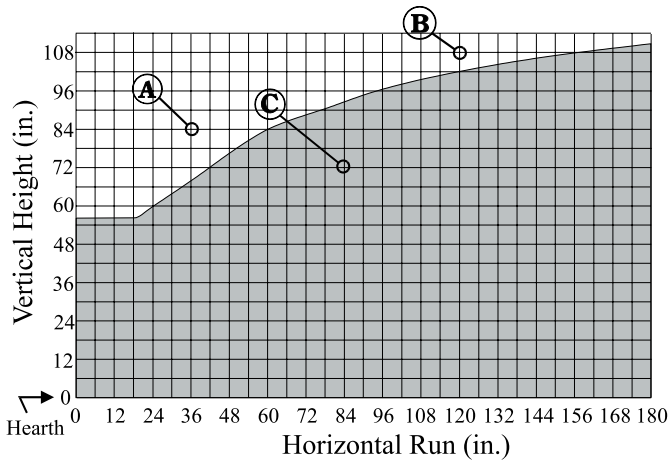


Figure 22c. Multi-Elbow Venting Graph.

Rear Vent Venting Runs

The L52-DF, Rear Vent has only two possible installation in the rear vent configuration, one 90degree elbow off the back and straight up through the roof of the structure, or Figure 23 with two elbows.

Heat Shield

The heat shield (RHS101) must be used on **all installations straight through the wall**, at the point where the vent pipe connects to the termination. With the heat shield, proper vent clearances can be maintained. **The heat shield is not included with the fireplace.**

To install the heat shield, slide one section over the vent pipe on the inside of the wall opening, with the circular portion *inside the wall cavity*. Screw the shield in place over the wall opening. Install the second section on the outside of the wall opening sliding the circular portion into the wall opening. Refer to Figure 19.

Installation Of Rear Vent DV

The following venting components are available for an L52-DF, in a Rear Vent installation:

	5" / 8" Venting
A - Termination	PTO-3 (3" Length) PTO-3F (3" Length)
B - Stucco Kits	MSR (Stucco Frame) BSR-4 (4" Brick Frame) BSR-6 (6" Brick Frame) MOSR (Stucco Can)
C - Flex Sections	PFL-1 (12" Section) PFL-2 (24" Section) PFL-3 (36" Section) PFL-4 (48" Section)
D - Rigid Sections	PEXT-1 (12" m/f Section) PXT-20 (20" section) PEXT-2 (24" m/f Section) PEXT-3 (36" m/f Section) PEXT-4 (48" m/f Section)
E - Elbows	PEL-90MM (m/m 90° Elbow) PEL-90FF (f/f 90° Elbow) PEL-90FM (f/m 90° Elbow) PEL-45FM (f/m 45° Elbow)

NOTES:

All dimension lengths for vertical or horizontal runs are measured from center of the vent pipe.

IMPORTANT: Venting runs *must* fall within the limits set by the venting graph (see Figure 22c).

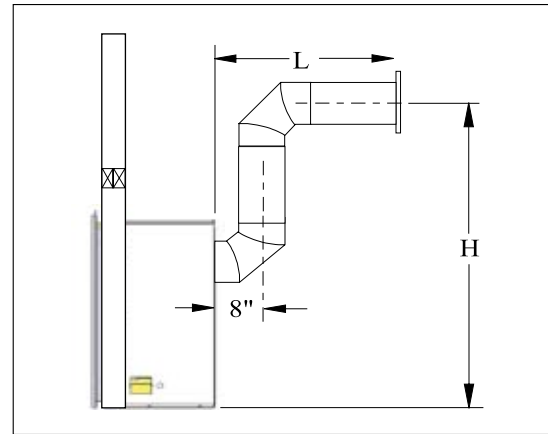


Figure 23. Multi-elbow installation.

For L52DF distance 'H' must be a minimum of 50". The vent run must comply with figure 22c.

Installation

Finishing Around the Fireplace

Combustible mantels and mouldings may be safely installed over the top and on the front of the fireplace provided that they do not project beyond shaded area shown in **Figure 24**. Side wall clearances are 3". Combustible surrounds may be installed with 3" clearance to the side of the fireplace as shown in **Figure 25**.

Fireplace Facing

When selecting the finish material for your fireplace, it is important to remember the following:

If the surround of the fireplace is to be painted to match the room decor, heat-resistant paint must be provided. Also, decorative facing must not extend past the fireplace opening at all, because it will interfere with the access to retainers for removal of glass door and access to the lower compartment.

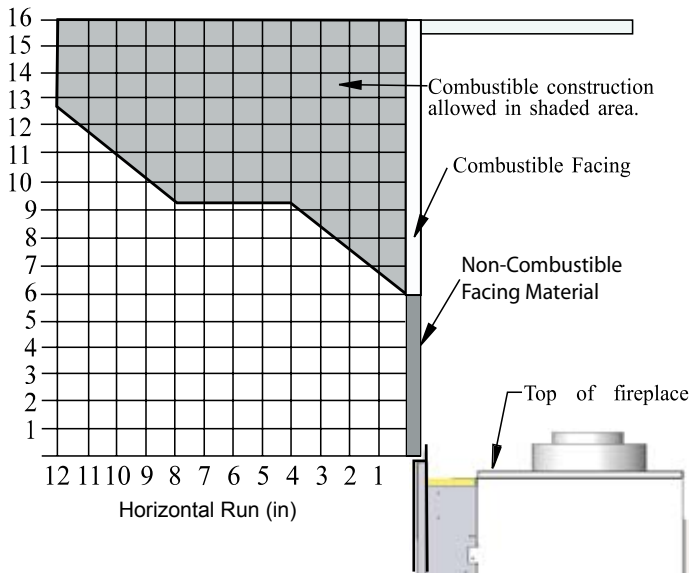


Figure 24. Combustible mantles and facings.

Mantels & Surrounds

NOTE: National Canadian Gas Association mantel test requirements are for fire hazard prevention to combustible materials.

New technology, to meet consumer and government demands for the wise use of energy, has prompted us to manufacture many models of fireplaces which are hot, fuel and energy efficient.

Please be aware; temperatures over the mantel will rise above normal room temperature and walls above fireplace may be hot to touch.

Warning:

When covering the upper metal portion of the fireplace, up to 6" (as shown, Fig. 24 & Fig. 25) with a non-combustible material Please Note: The decorative facing materials may be subject to temperatures in excess of 250° F. This should be considered when selecting facing materials.

We recommend careful consideration be given to the effects of elevated mantel temperatures which may be in excess of product design, for example: candles, plastic or pictures. This can cause melting, deformation, discoloration or premature failure of T.V. and radio components.

Surround Heat Shield

Included with the L52-DF Gas fireplace, is a heat shield fabricated from galvanized steel. The kit comes with three (3) pieces as shown below. This shield is to protect all adjacent combustible mantels and mouldings from excessive heat radiated by the cabinet of the fireplace. This shield must be installed as shown in **Figure 24a**.

- 1). Top shield fastened as shown. Wide flange face up, shallow flange toward inside of room, nailed or screwed flush with framing.
- 2). Side shield's fastened as shown. Wide flanges face out, shallow flange toward inside of room, nailed or screwed flush with framing.

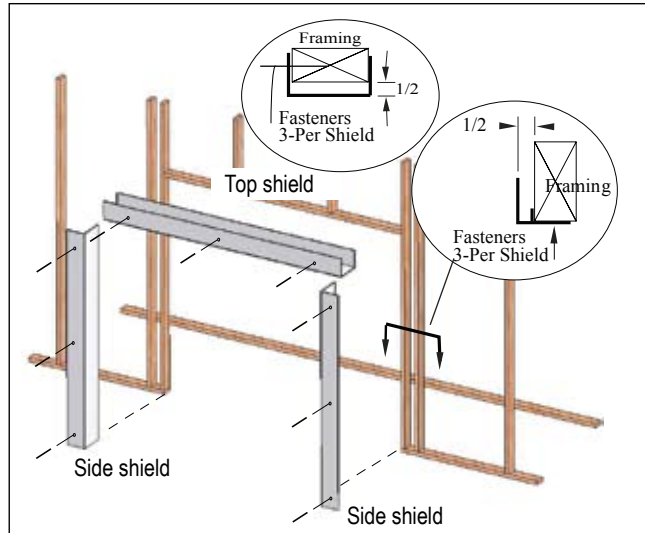


Figure 24a. Combustible surround Shield, (three (3)-pcs).

Painting:

Special care is recommended by the Master Painters and Decorators Association, when painting the fireplace surrounds, to select and apply a quality **Alkyd sealer** prior to the applying of latex paints. This is to prevent leaching of water from evaporation and causing a brownish staining effect to paint over coats.

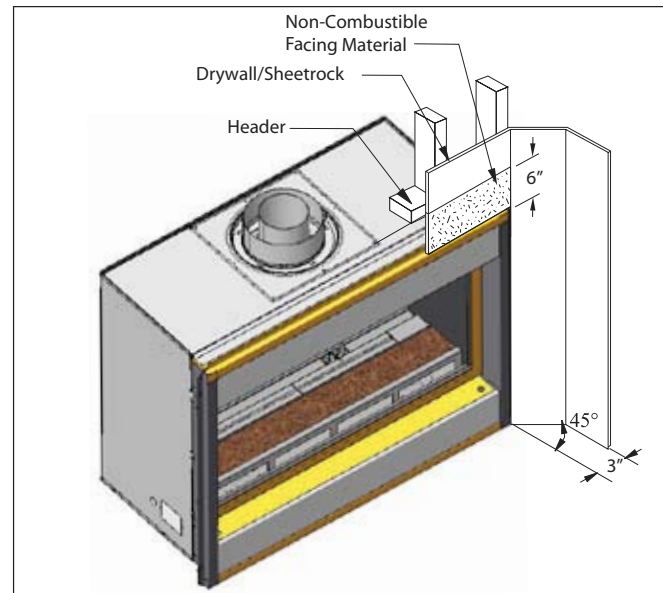


Figure 25. Combustible surrounds.

Installation



Wiring

Gas Control and Pilot Wiring

L-Series DF-I

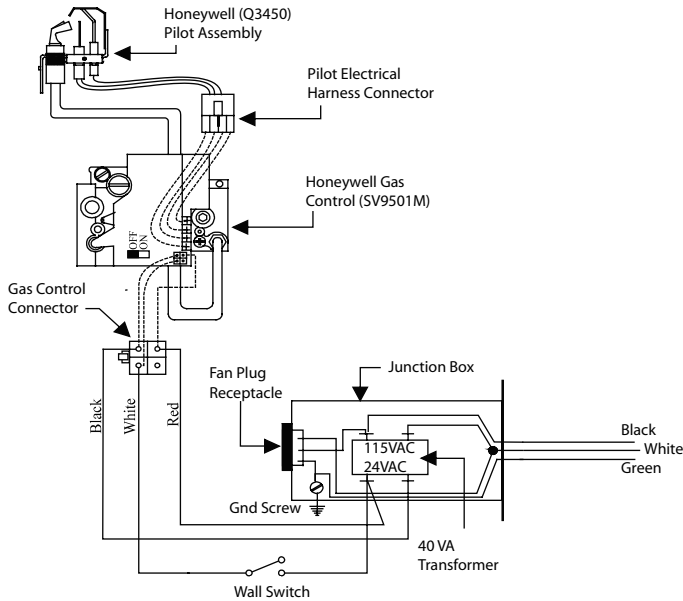


Figure 26. Wiring for the L-Series DF-I with Honeywell gas control and pilot.

Wiring for the optional Fan Kit

All L-Series DF fireplaces may be equipped with optional fan kits for circulating heat into the living space.

Installations in Canada which employ the fans must be electrically grounded in accordance with **CSA C22.1** Canadian Electrical Code Part 1 and/or Local Codes.

Installations in the USA which employ the fans must be grounded in accordance with local codes or, in the absence of local codes, with the National Electrical Code, **ANSI/NFPA 70-1987**.

For more information see the **Fan Kit Installation Guide** included with the fan kit.

NOTE: If any of the original wire supplied with the appliance is replaced, it must be replaced with the same type, or its equivalent.

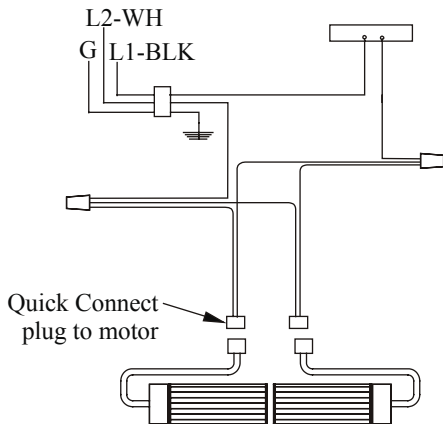


Figure 27a. Wiring for optional fans.

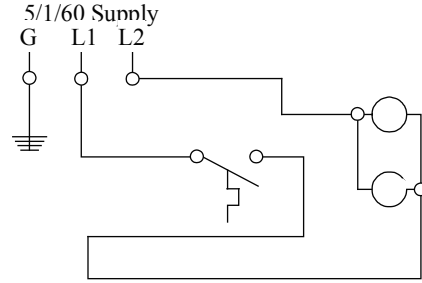


Figure 27b. Wiring schematic for optional fans.

Removing and Installing the Door

Removing the door:

The door is held in place by a lip on the top of the metal frame and three buckles at the bottom. Release the buckles and lift the door carefully up and away from the front of the fireplace. See figures 28a and 28b.

Installing the door:

Hook the top edge of the door frame into place. Lower and rest the door frame in place and fasten the buckles. See figures 28a and 28b.

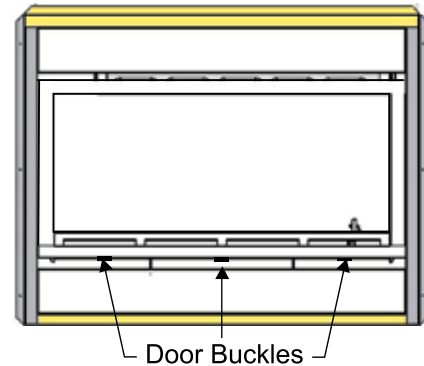


Figure 28a. Removing and installing the glass door.

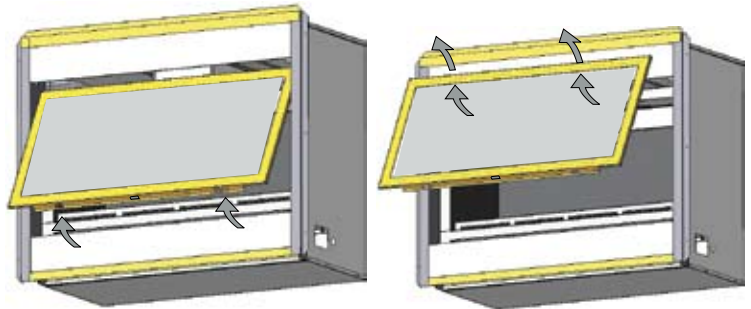


Figure 28b. Removing and installing the glass door.

Cautions:

DO NOT OPERATE THIS FIREPLACE WITHOUT THE GLASS DOOR OR WITH A BROKEN GLASS DOOR.



L-Series DF

Operation - Model L-Series DF

with Continuous Pilot

For Your Safety - READ BEFORE LIGHTING:



WARNING: If you do not follow these instructions exactly, a fire or explosion may result causing property damage, personal injury or loss of life.

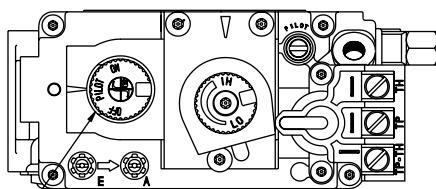
- A. This appliance has a pilot which must be lighted by hand. When lighting the pilot, follow these instructions exactly.
- B. **BEFORE LIGHTING** smell all around the appliance area for gas. Be sure to smell next to the floor because some gas is heavier than air and will settle on the floor.

What To Do If You Smell Gas:

 - Do not try to light any appliance.
 - Do not touch any electrical switch; do not use any phone in your building.
 - Immediately call your gas supplier from a neighbour's phone. Follow the gas supplier's instructions.
- If you cannot reach your gas supplier, call the Fire Department.
- C. Use only your hand to push in or turn the gas control knob. Never use tools. If the knob will not push in or turn by hand, don't try to repair it, call a qualified service technician. Force or attempt to repair may result in a fire or explosion.
- D. Do not use this appliance if any part has been under water. Immediately call a qualified service technician to inspect the appliance and to replace any part of the control system, and any gas control which has been under water.

Lighting Instructions:


1. **STOP!** Read the safety information above on this label.
2. Flip down the lower trims.
3. Push in gas control knob and turn clockwise  to "OFF."
4. Wait five (5) minutes to clear out any gas. Smell for gas, including near the floor. If you then smell gas, **STOP!** Follow "B" in the safety information above on this label. If you don't smell gas, go to the next step.
5. Locate pilot burner (*See illustration at right.*) and follow steps below.
6. Turn knob on gas control counter clockwise  to "PILOT."
7. Push in gas control knob completely and hold. Light with Piezo

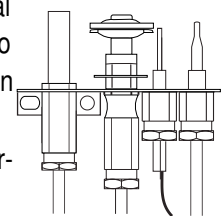


Gas Control Knob
(Shown in "Pilot" position.)


NOTE: Gas control knob cannot be turned from "PILOT" to "OFF" unless knob is pushed in slightly. Do not force.

igniter button. Continue to hold the control knob in for about (1) minute after the pilot is lit. Release the knob and it will pop back up. Pilot should remain lit. If it goes out repeat steps 3 through 8.

- If knob does not pop up when released. Stop and immediately call your service technician or gas supplier.
 - If the pilot will not stay lit after several tries, turn the gas control knob to "OFF" and call your service technician or gas supplier.
8. Push in gas control knob and turn counter-clockwise  to "ON."
 9. Flip up the lower trim.
 10. Turn on remote switch to ignite fire.



To Turn Off Gas To Appliance:

1. Turn off remote switch.
2. Flip down the lower trim.
3. Push in gas control knob slightly and turn  clockwise to "Off". Do not force.
4. Flip up the lower trim.



with Honeywell Electronic Ignition

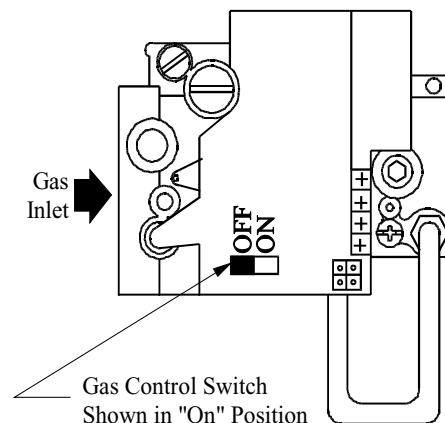
For Your Safety - READ BEFORE LIGHTING:

WARNING: If you do not follow these instructions exactly, a fire or explosion may result causing property damage, personal injury or loss of life.

- A. This appliance is equipped with an ignition system that lights the pilot burner automatically. **Do not attempt to light the pilot by hand.**
- B. **BEFORE LIGHTING** smell all around the appliance area for gas. Be sure to smell next to the floor because some gas is heavier than air and will settle on the floor.
 - What To Do If You Smell Gas:**
 - Do not try to light any appliance.
 - Do not touch any electrical switch; do not use any phone in your building.
 - Immediately call your gas supplier from a neighbour's phone. Follow the gas supplier's instructions.
- If you cannot reach your gas supplier, call the Fire Department.
- C. Use only your hand to push in or turn the gas control knob. Never use tools. If the knob will not push in or turn by hand, don't try to repair it, call a qualified service technician. Force or attempt to repair may result in a fire or explosion.
- D. Do not use this appliance if any part has been under water. Immediately call a qualified service technician to inspect the appliance and to replace any part of the control system, and any gas control which has been under water.

Lighting Instructions:

1. **STOP!** Read the safety information above on this label.
2. Flip down the lower trims.
3. Turn switch on the gas control to OFF".
4. Wait 5 minutes to clear out any gas. If you smell gas, **STOP!** Follow "B" in the safety information above on this label. If you don't smell gas, go to the next step.
5. Turn switch on the gas control to "ON". **NOTE:** This unit is equipped with an ignition system that lights the pilot burner automatically. **Do not attempt to light the pilot by hand.**
6. Turn on wall switch.
7. Flip up the lower trim.
8. If the fireplace does not operate, follow the instructions "To Turn Off Gas To Appliance" and call your service technician or gas supplier.



To Turn Off Gas To Appliance:

1. Turn off remote switch.
2. Flip down the lower trim.
3. Turn the switch on the gas control to "Off".
4. Flip up the trim.

Operation - Model L-Series DF-A

with American Flame Electronic Ignition

For Your Safety - READ BEFORE LIGHTING:

WARNING: If you do not follow these instructions exactly, a fire or explosion may result causing property damage, personal injury or loss of life.

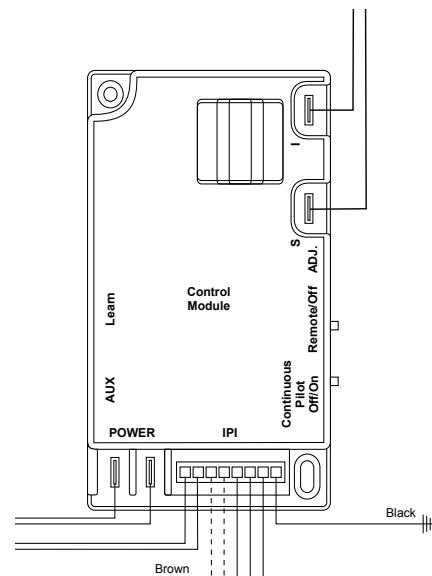
- A.** This appliance is equipped with an ignition system that allows for both continuous pilot operation as well as an electronic ignition that lights the pilot burner automatically. **Do not attempt to light the pilot by hand.**
- B. BEFORE LIGHTING** smell all around the appliance area for gas. Be sure to smell next to the floor because some gas is heavier than air and will settle on the floor.

What To Do If You Smell Gas:

- Do not try to light any appliance.
- Do not touch any electrical switch; do not use any phone in your building.
- Immediately call your gas supplier from a neighbour's phone. Follow the gas supplier's instructions.
- If you cannot reach your gas supplier, call the Fire Department.

Lighting Instructions:

1. **STOP!** Read the safety information above on this label.
2. Flip down the lower trims.
3. If the switch on the control module is set to "Continuous Pilot Off" then the pilot will light when the appliance is turned on by the remote switch. When switched to "Continuous Pilot On" then the control module will attempt to light the pilot until it detects that the pilot has been successfully lit.
4. With the control module set to "Continuous Pilot Off" wait 5 minutes to clear out any gas. If you smell gas, **STOP!** Follow "B" in the safety information above on this label. If you don't smell gas, go to the next step.
5. Turn switch on the control module to "Continuous Pilot On" This will initiate the lighting of the pilot. **NOTE:** This unit is equipped with an ignition system that lights the pilot burner automatically. **Do not attempt to light the pilot by hand.**
6. Turn on wall switch.
7. Flip up the lower trim.
8. If the fireplace does not operate, follow the instructions "To Turn Off Gas To Appliance" and call your service technician or gas supplier.
9. If you wish to operate the Fireplace without the Continuous Pilot simply turn the switch on the control module to "Continuous Pilot Off" and follow instructions 6-8.



To Turn Off Gas To Appliance:

1. Turn off remote switch.
2. Flip down the lower trim.
3. Turn the switch on the Control Module to "Continuous Pilot Off".
4. Flip up the trim.

Operation

Operation

Lighting Instructions

See pages 16, 17 and 18.

Burner Adjustment

The L-Series DF is equipped with an adjustable burner, allowing you to raise or lower the flames. To adjust the flames, locate the black knob marked 'Hi-Lo', in the centre of the gas control valve (See Figure 32). The front burners are not adjustable.

- To raise the flame height, turn the black knob (located behind the lower trim) **counter-clockwise**.
- To lower the flame height, turn **clockwise**.

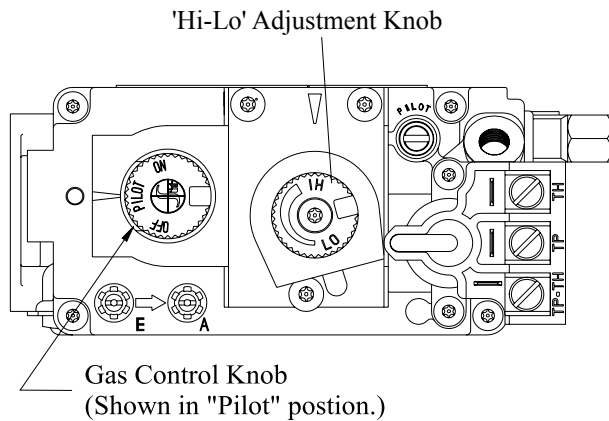


Figure 32. 'Hi-Lo' Adjustment on the L-Series DF's gas valve.

Note: L-Series DF-I models (electronic ignition) do not feature hi/lo adjustment.

CAUTIONS

- Fireplace gas control must be in the "OFF" position and pilot and main burners extinguished when cleaning appliance with a vacuum.
- Doors and logs can get very hot. Handle only when cool.

Maintenance

Maintenance

General

- **Have the fireplace and installation inspected yearly.** The inspection must include, but is not limited to, the following:
 - A visual check of the entire vent system and termination.
 - An inspection of the explosion relief flappers and the door gasketing to ensure a proper seal.
 - An inspection of the burner, venturi, and primary air openings.
 - An inspection of the gas valve, gas components, and pilot flame. For your convenience a 1/8" manifold pressure tap is supplied on the gas valve for a test gauge connection. See Figure 32.
 - Inspection of all optional equipment; fans, thermostats, etc.
- For **Natural Gas** this appliance requires a minimum inlet pressure of 5.5" W.C. and a manifold pressure of 3.5" W.C.
- For **Propane Gas** this appliance requires a minimum inlet pressure of 11" W.C. and a manifold pressure of 10" W.C.
- Always keep the fireplace area clear and free of combustible materials, as well as gasoline and other flammable vapors and liquids.
- Do not use this appliance if *any part has been underwater*. Immediately call a qualified service technician to inspect the appliance and to replace any part of the control system and any gas control which has been under water.

Cleaning

When the fireplace is first activated, there may be some smoking and a visible film may be left on the glass. This is a normal condition, and is the result of burning of protective coatings on new metal.

- Glass must be cleaned periodically to remove any film (which is a normal by-product of combustion) which may be visible. Film can easily be removed by removing the door, as shown on page 12. Handle the door carefully, and clean it with non-abrasive glass cleaners. One of the most effective products is Kel Kem.
- Silicone seals on inner door during initial firing will "off gas", leaving a visual deposit of a white substance on combustion chamber walls. This can easily be removed using normal household products.
- Use a vacuum cleaner or whisk broom to keep the control compartment, burner, and firebox free from dust and lint.
- Linear Burners may be cleaned periodically with a vacuum to remove soot or other contaminants.

WARNING:

Do not attempt to clean glass when hot.
Do not clean glass with abrasive materials as any glass etching may cause premature glass failure.

Maintenance

Gas Control Valve

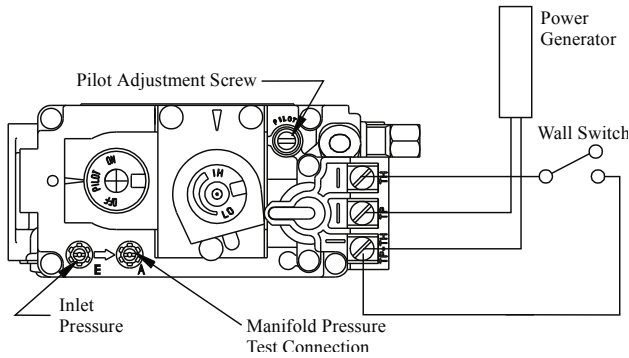


Figure 33. Sit Nova 820 gas valve.

Pilot Burner Adjustment

1. Locate Pilot Adjustment Screw. (See figure 33.)
2. Adjust pilot screw to provide properly sized flame as shown in figure 34).
3. After installing or servicing, leak test with a soap solution with main burner on. Coat pipe and tubing joints, gasket etc. with soap solution. Bubbles indicate leaks. Tighten any areas where the bubbles appear until the bubbling stops completely.

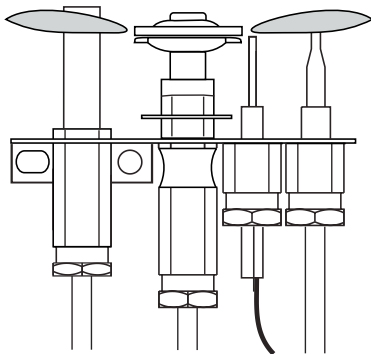


Figure 34. Pilot Burner.

Troubleshooting L-Series DF

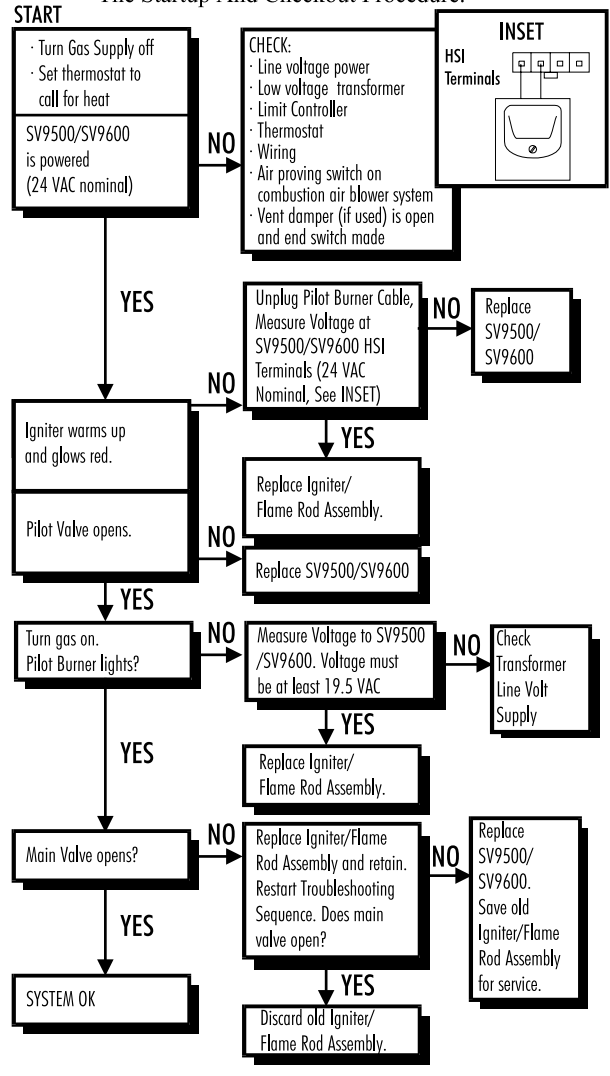
The following is a troubleshooting chart of possible problems:

PROBLEM	CORRECTIVE ACTION
Noisy Pilot Flame	Locate pilot adjustment screw on gas control valve. Flame is decreased by turning adjustment screw clockwise.
Pilot won't ignite	Disconnect remote wires and try to light pilot. If pilot now works, remote connections are faulty. Check wiring diagram figure 33.
Main burner will not light	1. Check wiring (see figure 33). 2. Check wall switch for proper connection.

Troubleshooting L-Series DF-I

HONEYWELL SV 9500 /SV9600 Troubleshooting Sequence

NOTE: Before Troubleshooting, Familiarize Yourself With The Startup And Checkout Procedure.



If your fireplace still does not operate correctly, consult your dealer or the manufacturer.

All service and repairs should be performed by a qualified agency.

All spare parts, optional fans, and optional trim finishes are available from your local dealer or the manufacturer.

Warranty

The Warranty

The Companies warrants the Montigo Gas Appliance to be free from defects in materials and workmanship at the time of manufacture. On the Montigo, there is a ten-year warranty on the firebox and its components, a five-year warranty on the main burner and pilot burner, and a one-year warranty on the gas control valve and fibre logs. Glass, plated/painted finishes, and refractory lining are exempt.

Remedy And Exclusions

The coverage of this Warranty is limited to all components of the Gas Appliance manufactured by The Companies.

This Warranty only covers Montigo Gas Appliances installed in the United States or Canada.

If the components of the Gas Appliance covered by this Warranty are found to be defective within the time frame stated (see The Companies right of investigation outlined below). The Companies will, at its option, replace or repair defective components of the Gas Appliance manufactured by The Companies at no charge, and will also pay for reasonable labour costs incurred in replacing or repairing components. If repair or replacement is not commercially practical, The Companies will, at its option, refund the purchase price of the Montigo Gas Appliance.

This Warranty covers only parts and labour as provided above. In no case shall The Companies be responsible for materials, components, or construction which are not manufactured or supplied by The Companies, or for the labour necessary to install, repair or remove such materials, components or construction. All replacement or repair components will be shipped F.O.B. the nearest The Companies factory.

Qualifications To The Warranty

The Gas Appliance Warranty outlined above is further subject to the following qualifications:

- (1) The Gas Appliance must be installed in accordance with The Companies installation instructions and local building codes. The Warranty on this Montigo Gas Appliance covers only the component parts manufactured by The Companies. The use of components manufactured by others with this Montigo Gas Appliance could create serious safety hazards, may result in the denial of certification by recognized national safety agencies, and could be in violation of local building codes. This warranty does not cover any damages occurring from the use of any components not manufactured or supplied by The Companies
- (2) The Montigo Gas Appliance must be subjected to normal use. The Gas Appliances are designed to burn gas only. Burning conventional fireplace fuels such as wood, coal or any other solid fuel will cause damage to the Gas Appliance, will produce excessive temperatures and will result in a fire hazard.

Limitations On Liability

It is expressly agreed and understood that The Companies sole obligation, and purchaser's exclusive remedy under this Warranty, under any other warranty, expressed or implied, or in contract, tort or otherwise, shall be limited to replacement, repair, or refund, as specified above.

In no event shall The Companies be responsible for any incidental or consequential damages caused by defects in its products, whether such damage occurs or is discovered before or after replacement or repair, and whether or not such damage is caused by The Companies negligence. Some states do not allow the exclusion or limitation of incidental or consequential damages, so the above limitation or exclusion may not apply to you. The duration of any implied warranty with respect to this Montigo Gas Appliance is limited to the duration of the foregoing warranty. Some states do not allow limitation on how long an implied warranty lasts, so the above may not apply to you.

Investigation Of Claims Against Warranty

The Companies reserves the right to investigate any and all claims against this Warranty and to decide upon method of settlement.

The Companies Are Not Responsible For Work Done Without Written Consent

The Companies shall in no event be responsible for any warranty work done without first obtaining The Companies written consent.

Dealers Have No Authority To Alter This Warranty

The Companies employees and dealers have no authority to make any warranties nor to authorize any remedies in addition to or inconsistent with those stated above.

How To Register A Claim Against Warranty

In order for any claim under this Warranty to be valid, The Companies must be notified of the claimed defect in writing or by telephone, as soon as reasonably possible after the defect is discovered. Claims against this Warranty in writing should include the date of installation, and a description of the defect.

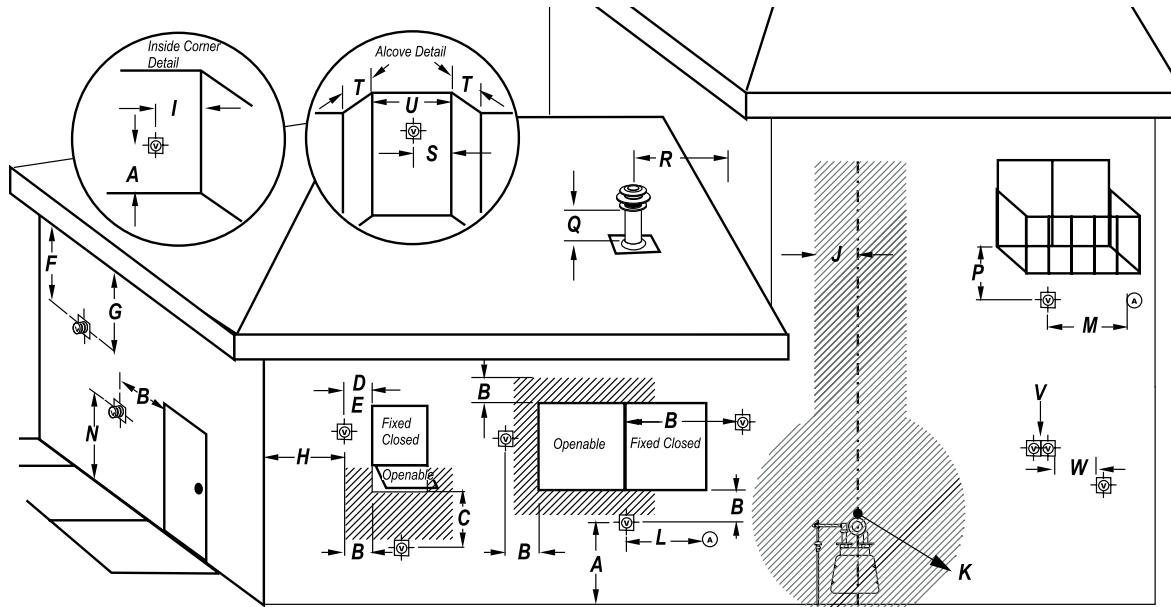
Other Rights

This Warranty gives you specific legal rights, and you may also have other rights which vary from state to state.

NOTE: *The Companies as stated above refer to - Canadian Heating Products Inc. and/or Montigo Del Ray Corp.*

Canadian Heating Products Inc. and/or Montigo DelRay Corp. reserves the right to make changes at any time, without notice, in design, materials, specifications, prices and also to discontinue colors, styles and products.

Appendix A - Termination Locations

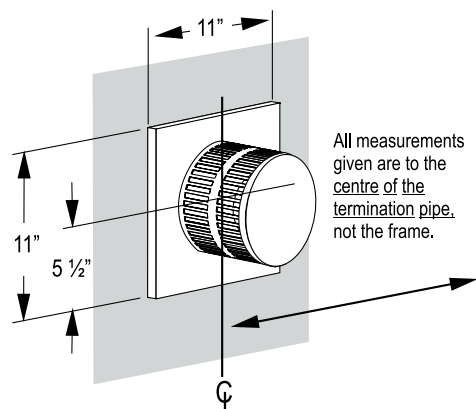


⊕ = vent termination ⊕ = air supply inlet ▨ = area where termination is not permitted

- A** = clearance to the termination frame above grade, veranda, porch, deck, or balcony [16 inches (41 cm) minimum]
- B** = clearance to door, or sides and top of window, that may be opened [16 inches (41 cm) minimum for appliances ≤100 000 BTU/H (30kW)]
- C** = clearance to bottom of window that may be opened horizontally [36 inches (92 cm) minimum for appliances ≤100 000 BTU/H (30kW)]
- D** = no clearance to permanently closed window when installed with approved glass penetration termination
- E** = clearance to permanently closed window [16 inches 41 cm recommended to prevent condensation on window]
- F** = vertical clearance to ventilated soffit located above the termination within a horizontal distance of 2 feet (61 cm) from the centreline of the termination [22 inches (56 cm) minimum]
- G** = clearance to unventilated soffit [16 inches (41 cm) minimum to non-combustibles] [22 inches (56 cm) minimum to combustibles]
- H** = clearance to outside corner [9 inches (23 cm) minimum]
- I** = clearance to inside corner [12 inches (31 cm) minimum]
- J** = * not to be installed above a meter/regulator assembly within 40" (103 cm) horizontally from the centreline of the regulator
- K** = clearance to service regulator vent outlet [3 feet minimum in the United States] [*6 feet (1.8 m) minimum in Canada]
- L** = clearance to non-mechanical air supply inlet to building or the combustion air inlet to any other appliance [16 inches (41 cm) minimum for appliances ≤100 000 BTU/H (30kW)]
- M** = clearance to mechanical air supply inlet [*6 feet (1.8 m) minimum]

- N** = † clearance above paved sidewalk or a paved driveway located on public property [*7 feet (2.1 m) minimum]
 - P** = clearance under veranda, porch, deck, or balcony [16 inches (41 cm) minimum† to non-combustibles] [22 inches (56 cm) minimum† to combustibles]
 - Q** = clearance above a roof [24 inches (61 cm) minimum]
 - R** = clearance to adjacent walls and neighboring buildings [18 inches (46 cm) minimum]
 - S** = clearance from corner in recessed location [12 inches (31 cm) minimum]
 - T** = maximum depth in recessed location [48 inches (122 cm) minimum]
 - U** = minimum width for back wall of recessed location [24 inches (61 cm) minimum]
 - V** = no horizontal clearance between the frames of two terminations that are level.
 - W** = horizontal clearance between the frames of two terminations that are not level. [36 inches (92 cm) minimum]
- † a vent shall not terminate directly above a sidewalk or paved driveway which is located between two single family dwellings and serves both dwellings

† only permitted if veranda, porch, deck, or balcony has an open side that is equal to or greater than the depth of the enclosed area
 * as specified in CGA B149 Installation Codes. Note: local Codes or Regulations may require different clearance.



Maintenance

Notes

Spare Parts - L52-DF

	L52DF
NG Gas Valve	RGC1006
LP Gas Valve	RGC1005
NG Pilot	RPA020
LP Pilot	RPA021
Burner NG	RBLS201
Burner LPG	RBLS202
Orifice NG	4@53dms / Set R0R1159
Orifice LPG	4@63dms / Set R0R1160
Door	RDTL52
Fiber Base	RLGS54



XG0185 - 040708

Canadian Heating Products Inc.
Langley, BC V4W 4A1

Montigo Del Ray Corp.
Ferndale, WA 98248